



ZNEO32! Family of Microcontrollers

Z32F064 Evaluation Kit

User Manual

UM027601-1215

ZNEO32!
32 Bit Microcontrollers



Warning: DO NOT USE THIS PRODUCT IN LIFE SUPPORT SYSTEMS.

LIFE SUPPORT POLICY

ZILOG'S PRODUCTS ARE NOT AUTHORIZED FOR USE AS CRITICAL COMPONENTS IN LIFE SUPPORT DEVICES OR SYSTEMS WITHOUT THE EXPRESS PRIOR WRITTEN APPROVAL OF THE PRESIDENT AND GENERAL COUNSEL OF ZILOG CORPORATION.

As used herein

Life support devices or systems are devices which (a) are intended for surgical implant into the body, or (b) support or sustain life and whose failure to perform when properly used in accordance with instructions for use provided in the labeling can be reasonably expected to result in a significant injury to the user. A critical component is any component in a life support device or system whose failure to perform can be reasonably expected to cause the failure of the life support device or system or to affect its safety or effectiveness.

Document Disclaimer

©2015 Zilog, Inc. All rights reserved. Information in this publication concerning the devices, applications, or technology described is intended to suggest possible uses and may be superseded. ZILOG, INC. DOES NOT ASSUME LIABILITY FOR OR PROVIDE A REPRESENTATION OF ACCURACY OF THE INFORMATION, DEVICES, OR TECHNOLOGY DESCRIBED IN THIS DOCUMENT. ZILOG ALSO DOES NOT ASSUME LIABILITY FOR INTELLECTUAL PROPERTY INFRINGEMENT RELATED IN ANY MANNER TO USE OF INFORMATION, DEVICES, OR TECHNOLOGY DESCRIBED HEREIN OR OTHERWISE. The information contained within this document has been verified according to the general principles of electrical and mechanical engineering.

ZNEO32! is a trademark or registered trademark of Zilog, Inc. All other product or service names are the property of their respective owners.

Revision History

Each instance in this document's revision history reflects a change from its previous edition. To learn more, refer to the corresponding page(s) or appropriate links furnished in the table below.

Date	Revision Level	Description	Page
Dec 2015	01	Original issue.	n/a

Overview

Zilog's Z32F064 Evaluation Kit (Z32F0640100KITG) enables developers to start programming projects using the Z32F064 microcontroller, a member of the ZNEO32! Family of MCUs. The kit exposes the ports to allow them to be connected by the user for prototyping and creating proofs of concept.

This Evaluation Kit consists of 8 LEDs, 2 switches, and a USB-to-UART connection for serial communications and powering. The board also includes a standard 20-pin JTAG header.

This user manual provides a description of the Z32F064 Evaluation Board. It includes features of the Z32F064 MCU, schematic diagrams of the board, and kit contents and requirements.

Kit Contents

The Z32F064 Evaluation Kit contains the following items:

- 1 Z32F064 Evaluation Board
- 1 A (male) to Mini-B USB cable
- 1 ZNEO32! Evaluation Kit flyer

Additional requirements (to be obtained by user):

- JTAG Debugger tool
- Cortex M3 development tools, such as Keil μ Vision 5 or IAR Embedded workbench for ARM
- Zilog CMSIS Pack file, available at www.zilog.com
- Z32F064 product specification ([PS0344](#)), available at the Zilog website.

Figure 1 shows the contents of the Z32F064 Evaluation Kit.



Figure 1. The Z32F064 Evaluation Kit

Z32F064 MCU Features

Key features of the Z32F064 MCU include:

- High-performance low-power Cortex-M3 core
- 48 MHz maximum CPU clock speed
- 64KB code Flash memory with cache function
- 8KB SRAM
- 3-Phase Motor PWM with ADC triggering function
 - One channel
- 1.5MSPS high-speed ADC with sequential conversion function
 - Two units with 11 channel inputs
- System fail-safe function by clock monitoring
- XTAL OSC fail monitoring
- Watchdog timer
- Six general purpose timers
 - Periodic, One-shot, PWM, Capture modes
 - Multi-timer synchronization option
- External communication ports
 - 2 UARTs
 - 1 I²C
 - 1 SPI
- Debug and Emergency stop function
- SWD and JTAG Debugger (JTAG is only for LQFP-48)
- Supports UART and SPI ISP
- Package options: LQFP-48, LQFP-32
- Industrial grade operating temperature (-40 ~ +85°C)

To learn more about the Z32F064 MCU, refer to the Z32F064 MCU Product Specification ([PS0344](#)).

Mini Board

Figure 2 shows the Mini Board and Table 1 lists its characteristics.



Figure 2. Mini Board

Table 1. Mini Board Characteristics

Contents	Main Characteristics	Note
MCU	Z32F06410AES	ARM Cortex M3
Operating clock	8MHz	Crystal
ROM	64KB Flash ROM	
RAM	8KB	
Communication port	USB to UART port	Mini-B USB connector
Debugging port	J-Tag	20-pin connector
Input buttons	1 reset, 1 AUX	Tactile switch

Figure 3 displays the Mini Board MCU's external pin connections.

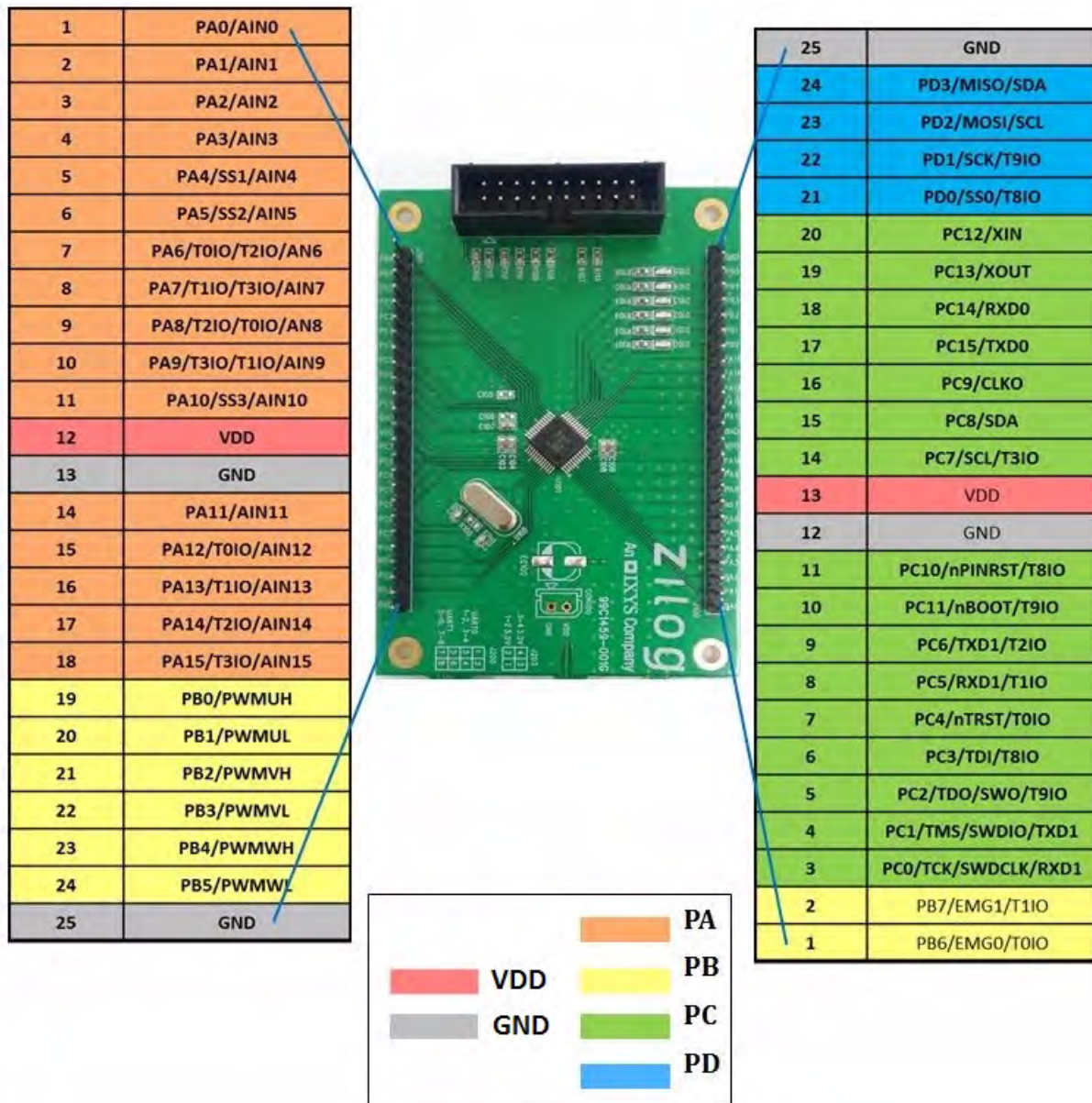


Figure 3. Mini Board MCU's External Pin Connections

The jumper settings are shown in Figure 4.

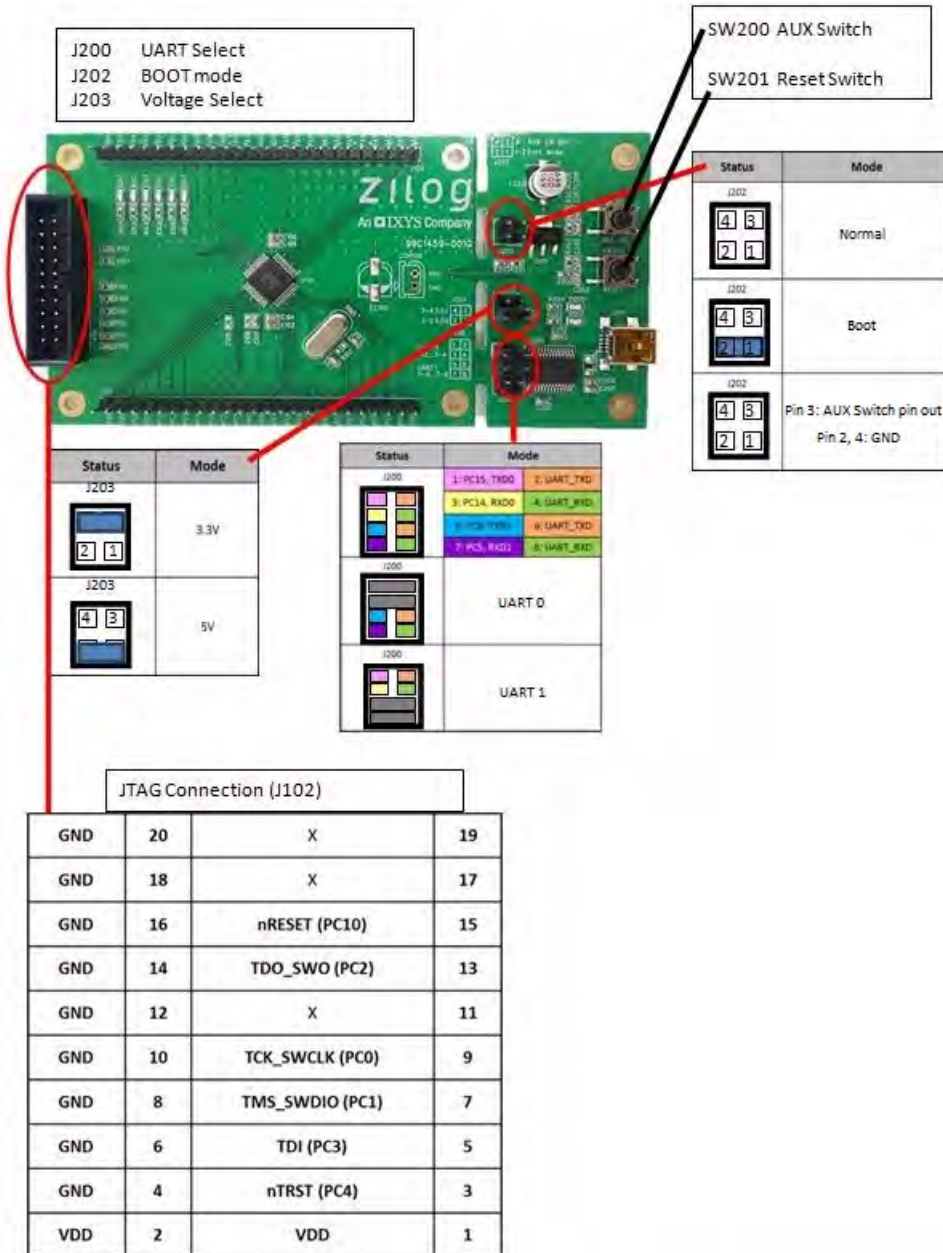


Figure 4. Jumper Settings

Z32F064 Evaluation Kit Documentation

The documents associated with the Z32F064 Evaluation Kit are listed in Table 2. Each of these documents can be obtained from the Zilog website by clicking the link associated with its Document Number.

Table 2. Z32F064 Evaluation Kit Documentation

Document	Description
UM0276	Z32F064 Evaluation Kit User Manual
PS0344	Z32F064 Product Specification
FL0183	ZNEO32! Evaluation Kit Insert

Appendix A. Schematic Diagrams

Figures 5 and 6 present schematic diagrams of the Z32F064 Evaluation Board.

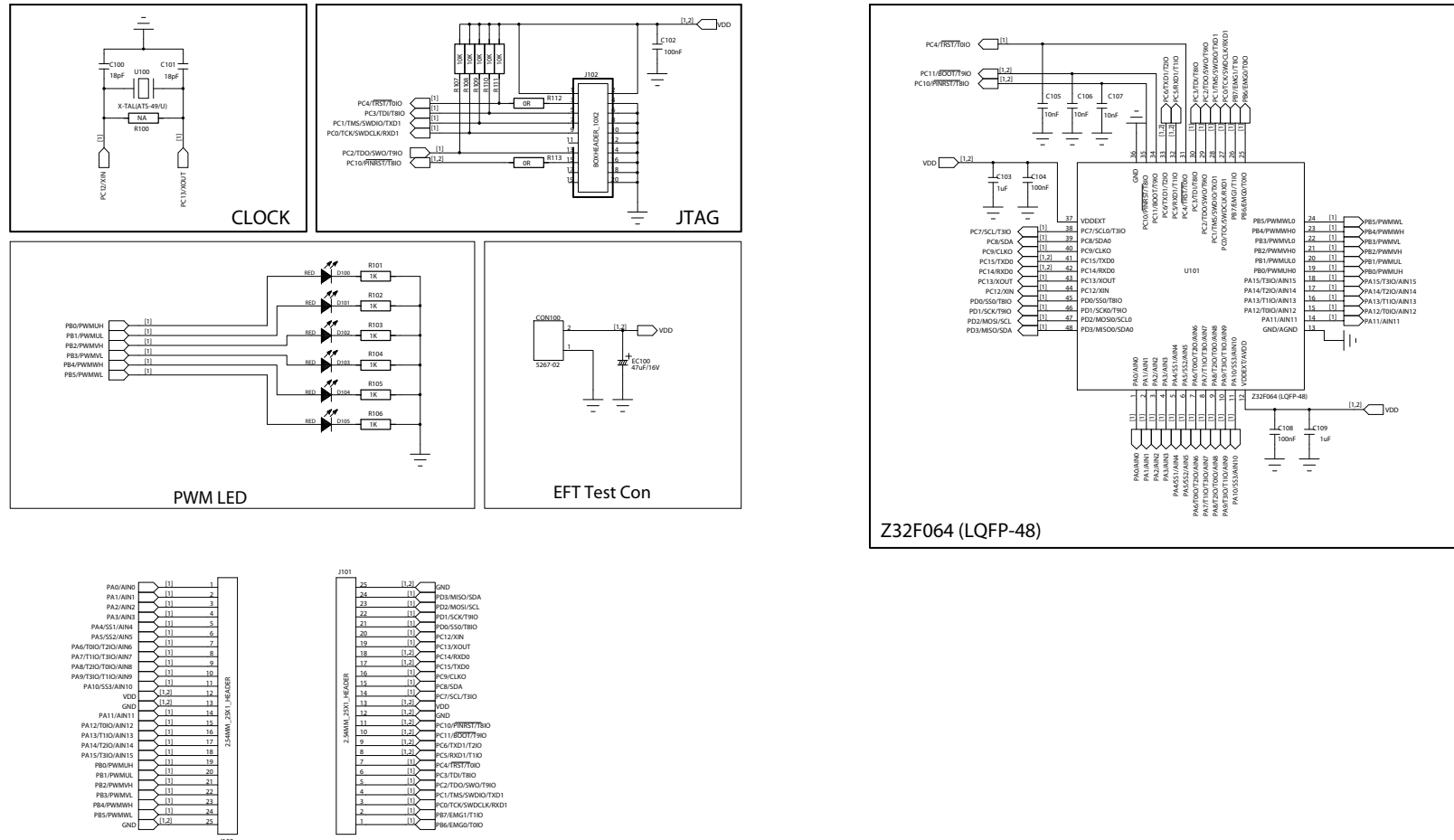


Figure 5. Z32F064 Evaluation Board Schematic Diagram, #1 of 2

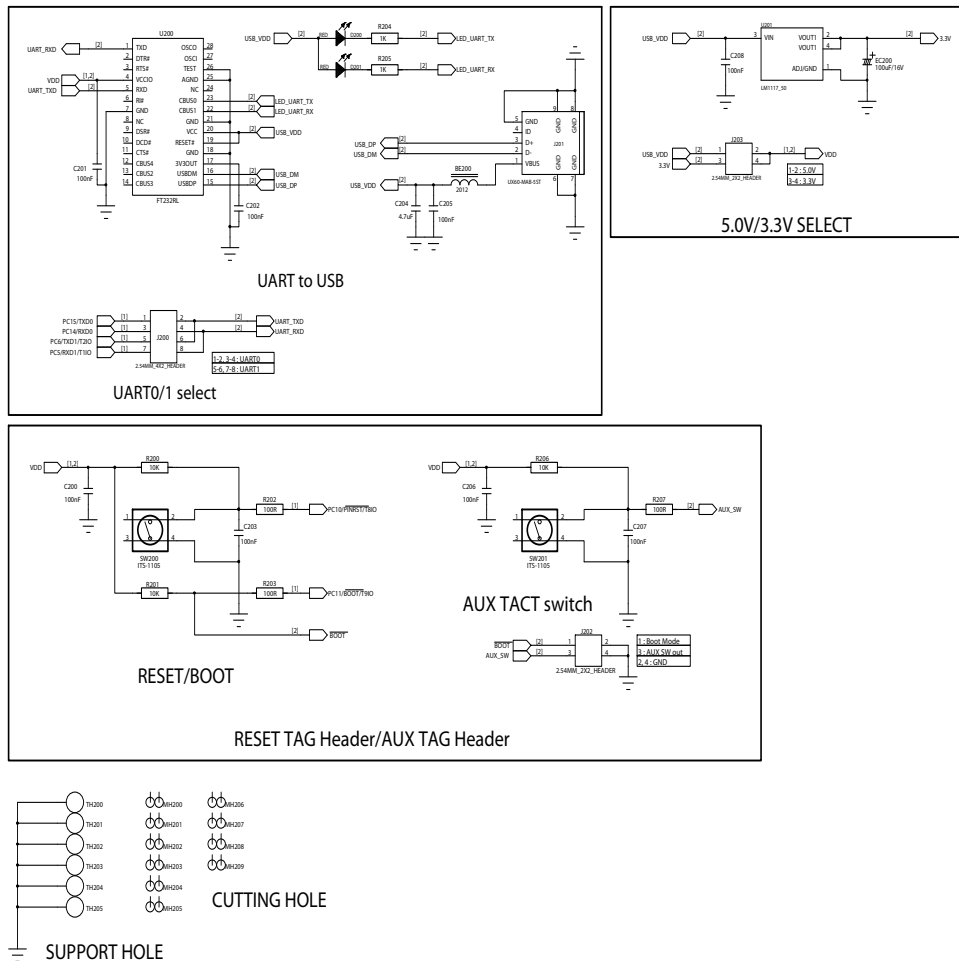


Figure 6. Z32F064 Evaluation Board Schematic Diagram, #2 of 2

Customer Support

To share comments, get your technical questions answered, or report issues you may be experiencing with our products, please visit Zilog's Technical Support page at <http://support.zilog.com>.

To learn more about this product, find additional documentation, or to discover other facts about Zilog product offerings, please visit the [Zilog Knowledge Base](#) or consider participating in the [Zilog Forum](#).

This publication is subject to replacement by a later edition. To determine whether a later edition exists, please visit the Zilog website at <http://www.zilog.com/>