

Design Overview

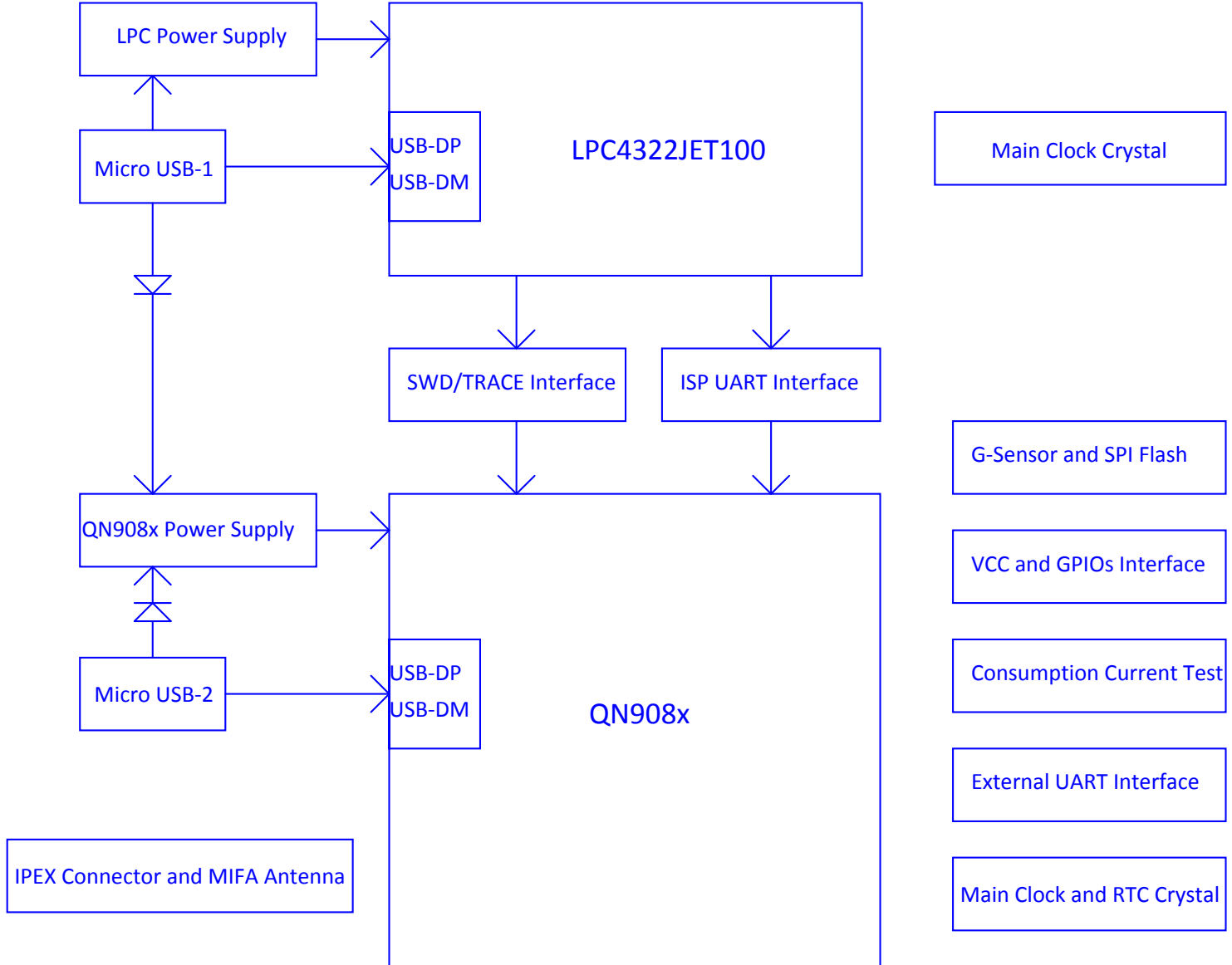
Page2:
LPC4322, SWD/TRACE, ISP-UART and
GPIOs

Page3:
Power Supply and USB port for
LPC4322/QN908x.

Page4:
QN908x, and UART

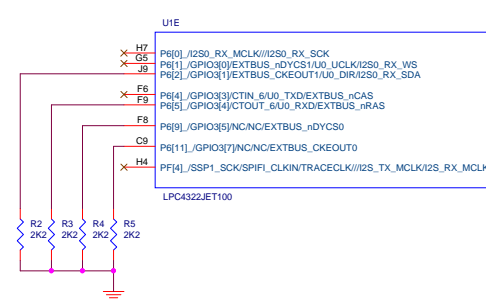
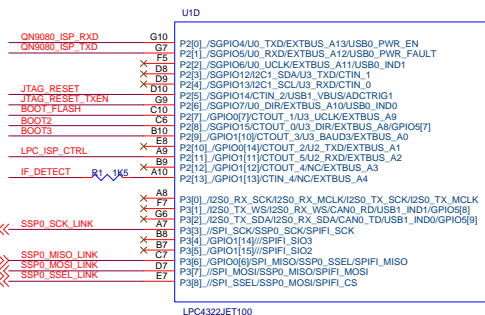
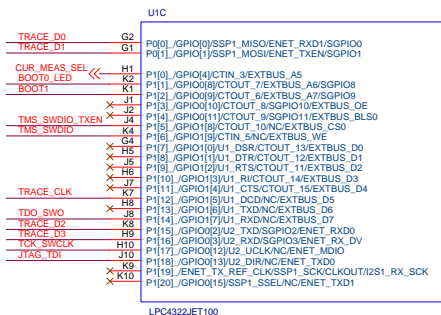
Page5:
QN908x, Current Test and G-sensor.

Page6:
QN9080A, to Arduino Shield receptacles
R4 interface

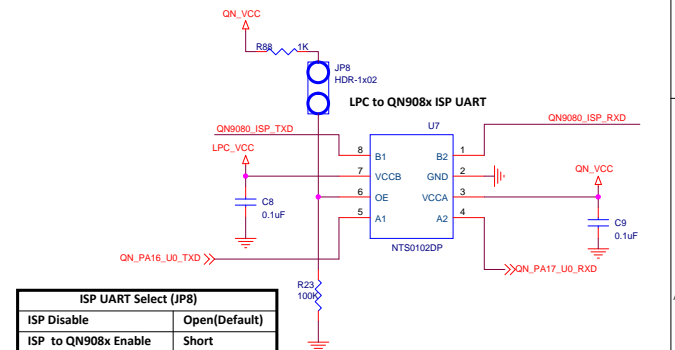
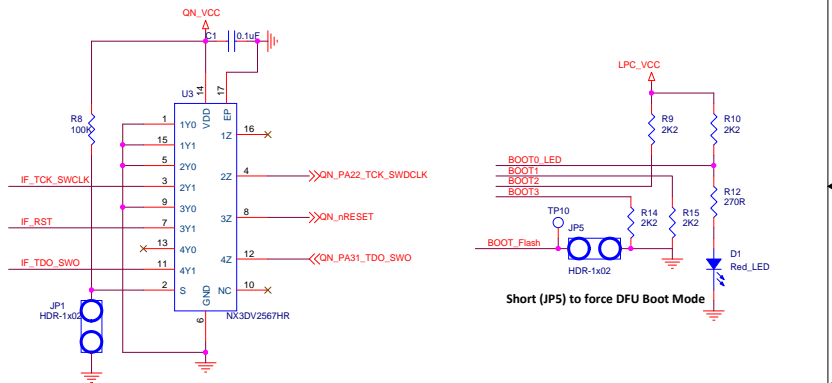
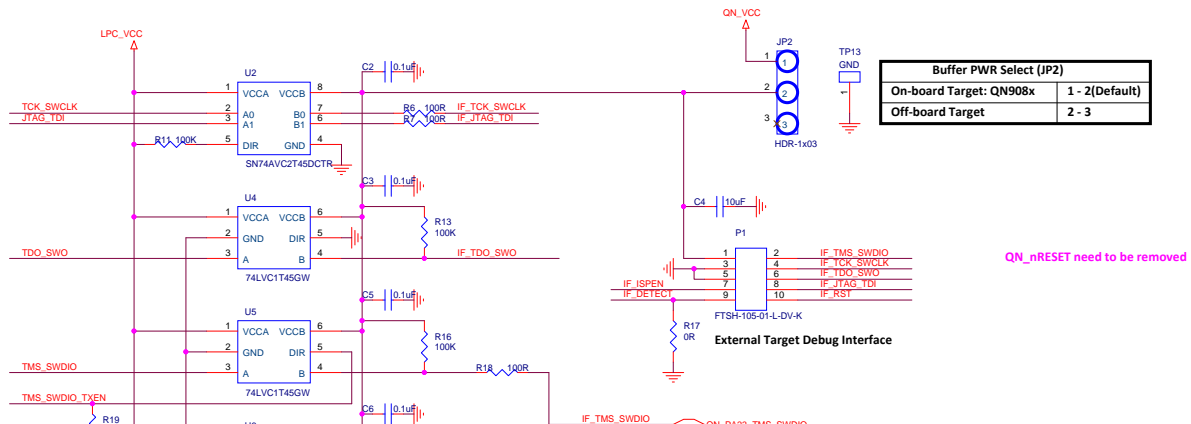


NXP Semiconductors		
Title QN908x DK V1.2-Design Overview		
Size A	Document Number	Rev V1.2
Date:	Thursday, November 24, 2016	Sheet 1 of 6

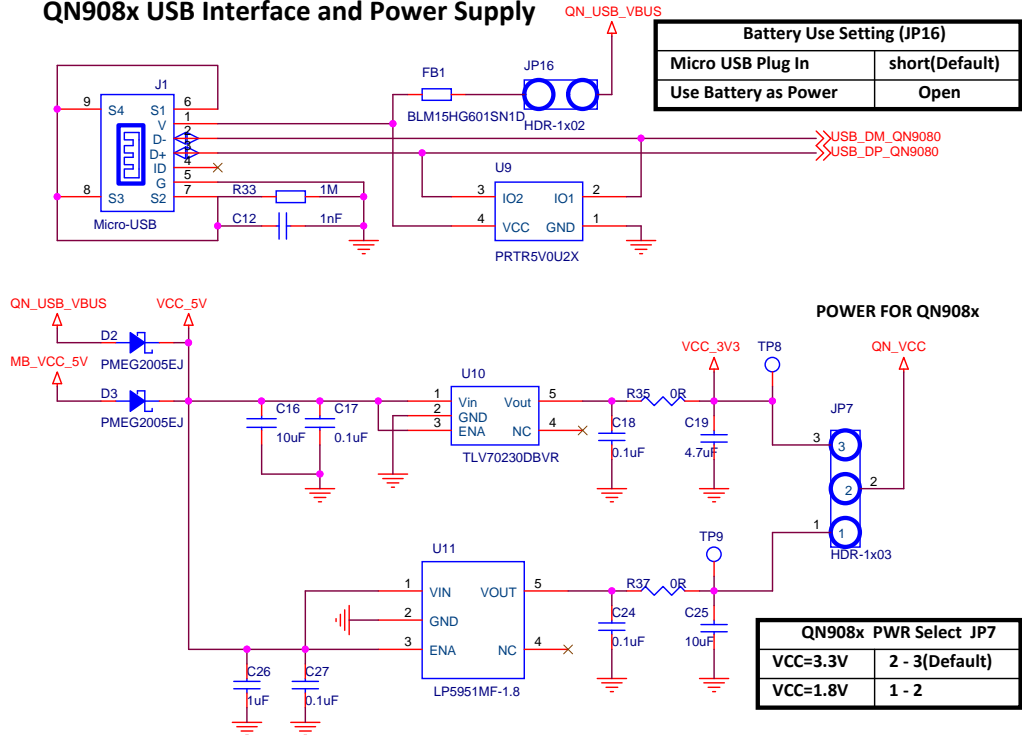
LPC4322 GPIOs Interface



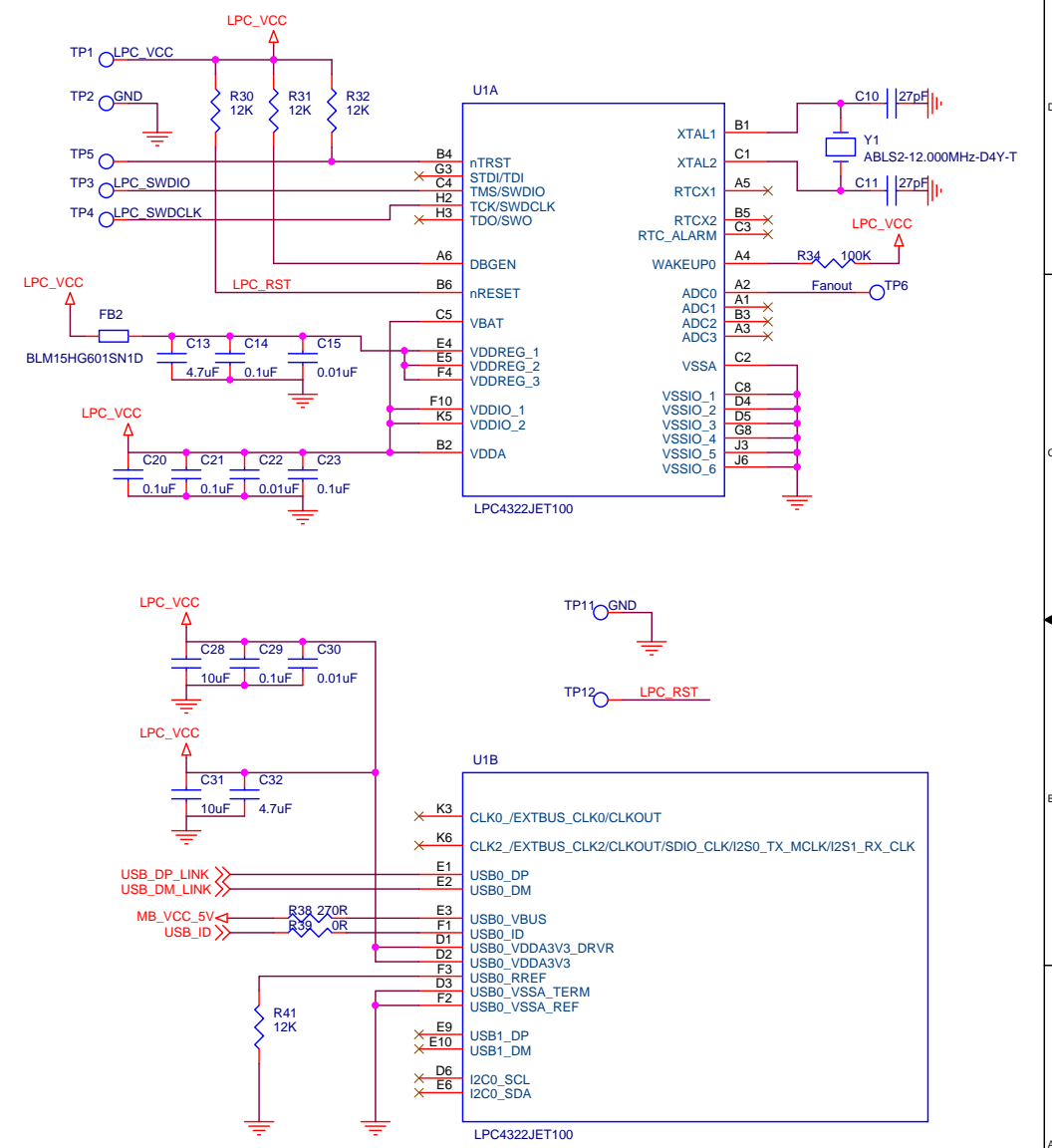
LPC4322 JTAG/SWD Debug



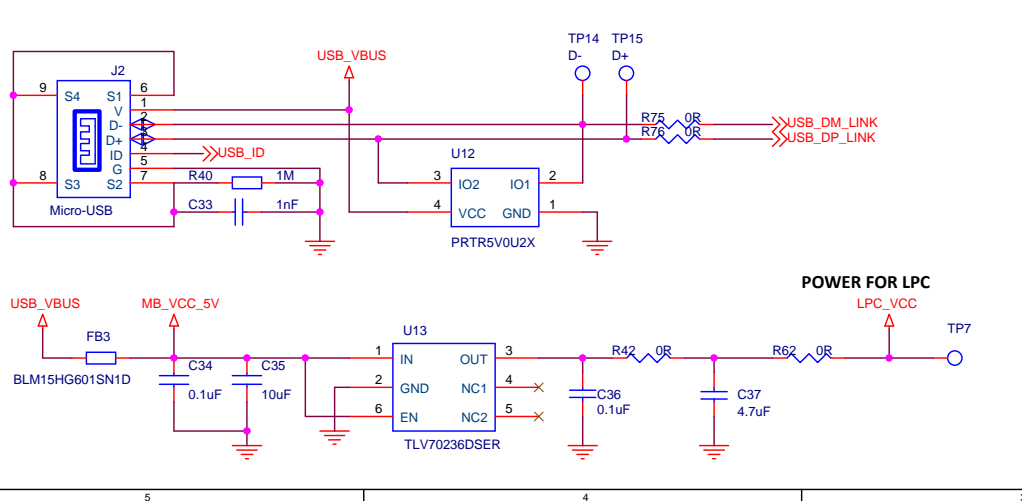
QN908x USB Interface and Power Supply



LPC 4322 Power Supply Input

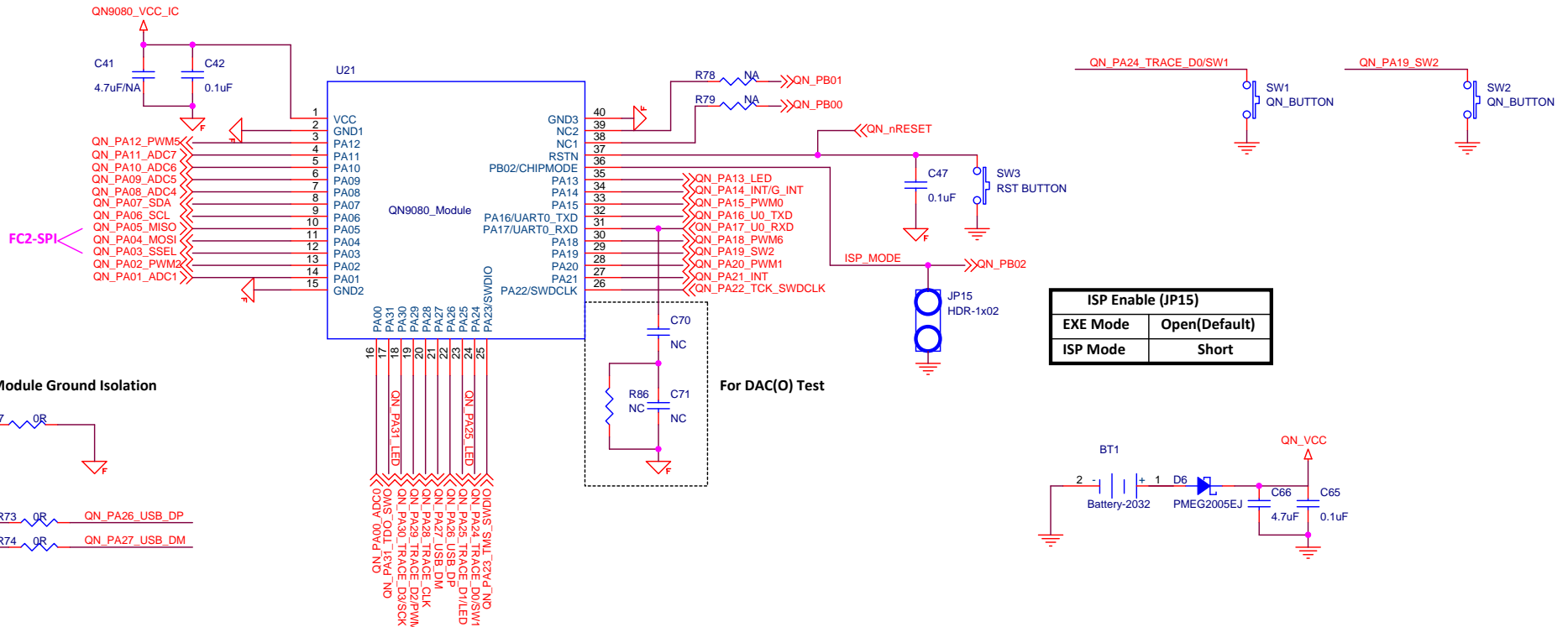


LPC 4322 USB Interface and Power Supply

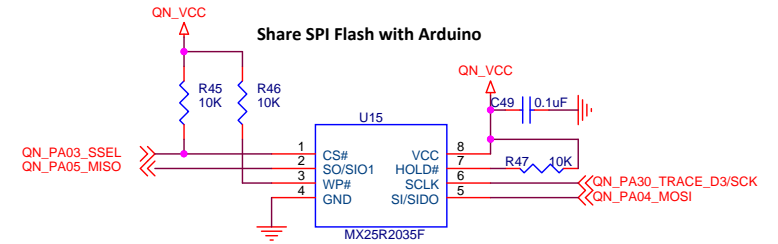
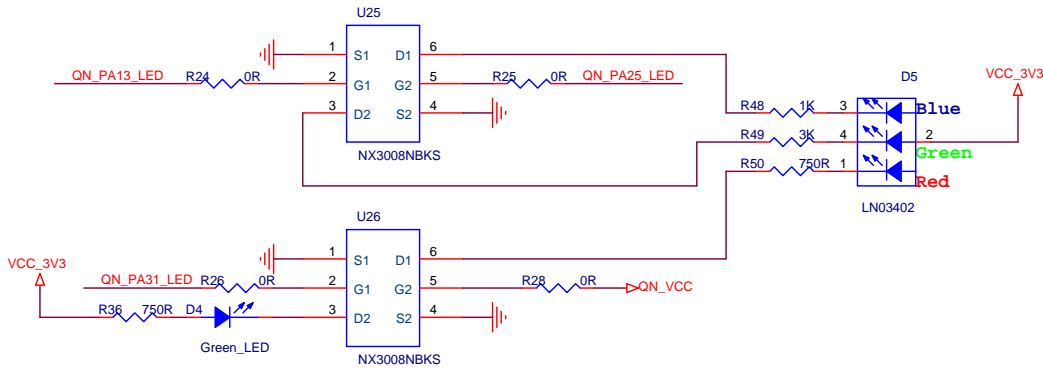
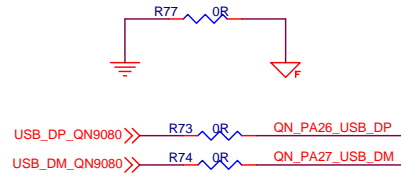


NXP Semiconductors		
Title	QN908x DK V1.2-Power supply	
Size	Document Number	Rev V1.2
Date:	Tuesday, November 29, 2016	Sheet 3 of 6

QN908x- BLE



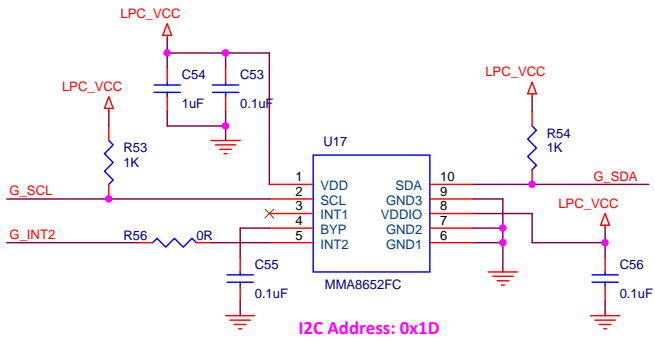
QN908x Module Ground Isolation



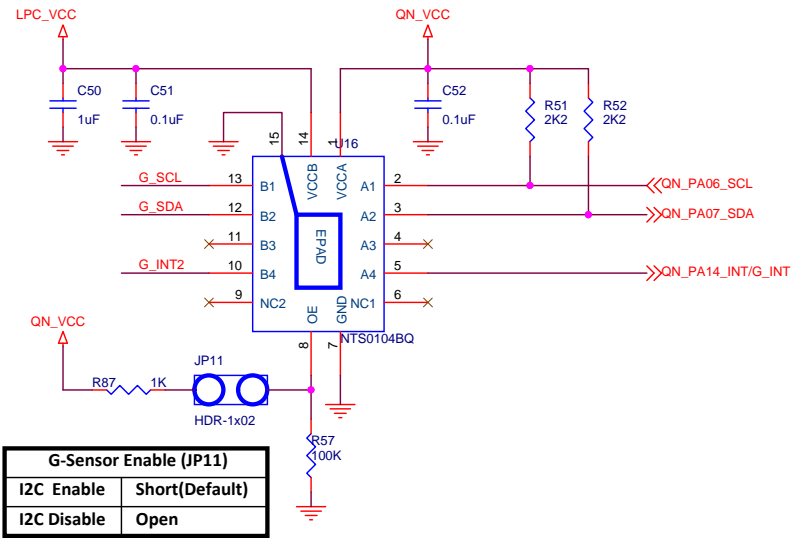
NXP Semiconductors

Title		QN908x DK V1.2-BLE IC
Size	Document Number	Rev V1.2
Date:	Tuesday, November 29, 2016	Sheet 4 of 6

QN908x G-Sensor



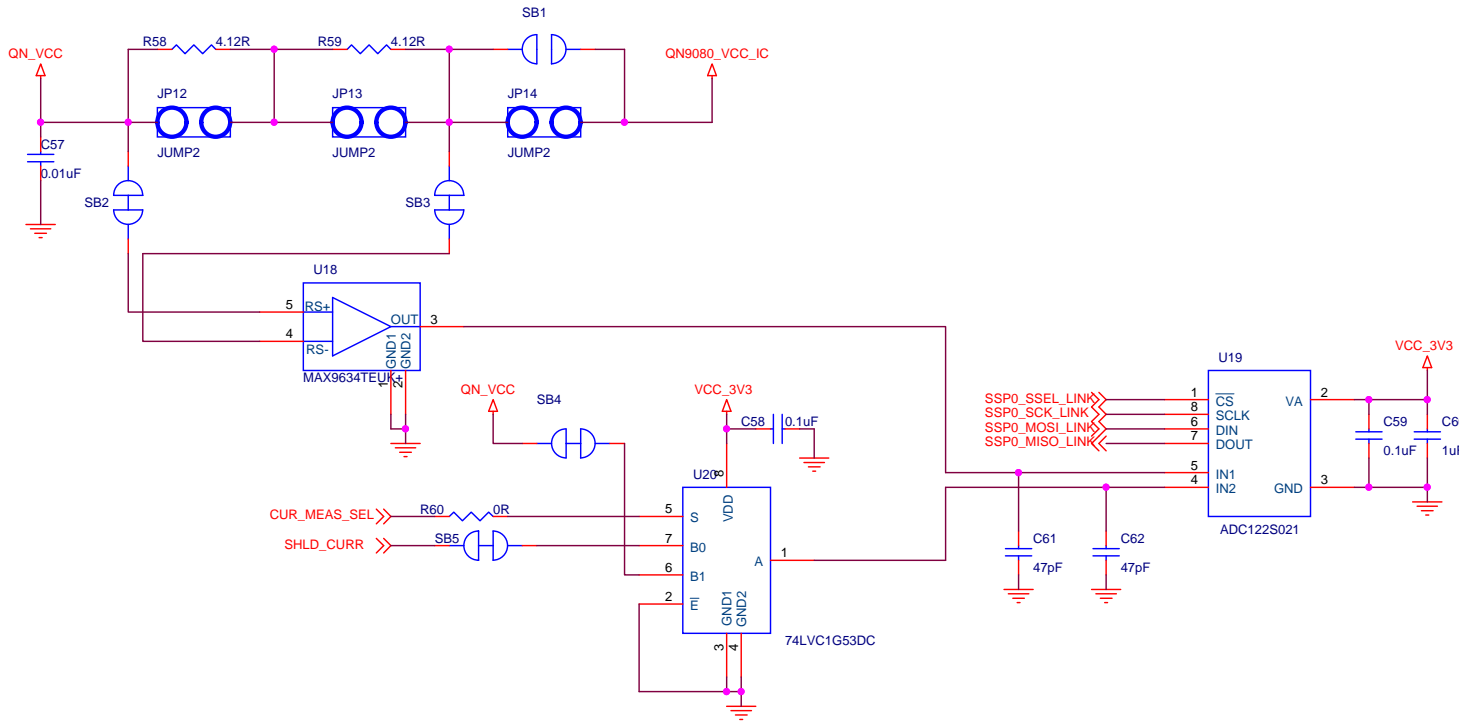
I2C Address: 0x1D



G-Sensor Enable (JP11)

I2C Enable	Short(Default)
I2C Disable	Open

QN908x Consumption Current Test

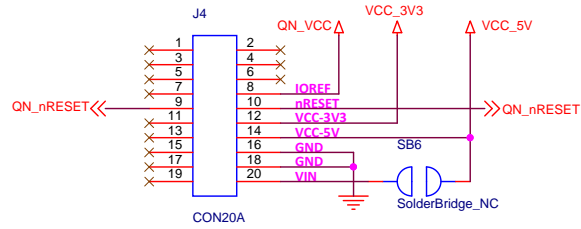


NXP Semiconductors

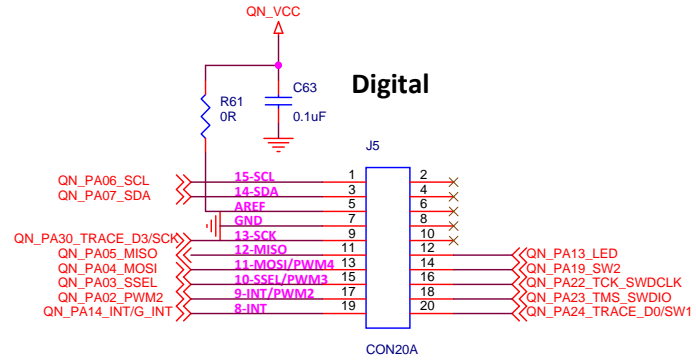
Title		QN908x DK V1.2-Peripheral
Size	Document Number	Rev V1.2
Date:	Thursday, November 24, 2016	Sheet 5 of 6

Arduino Shield receptacles R4

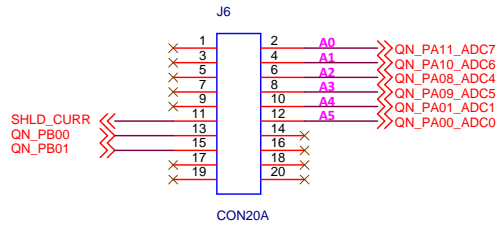
Power



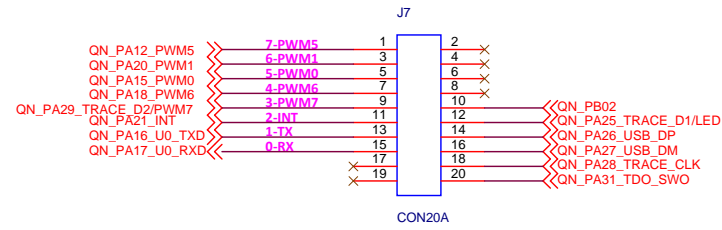
Digital



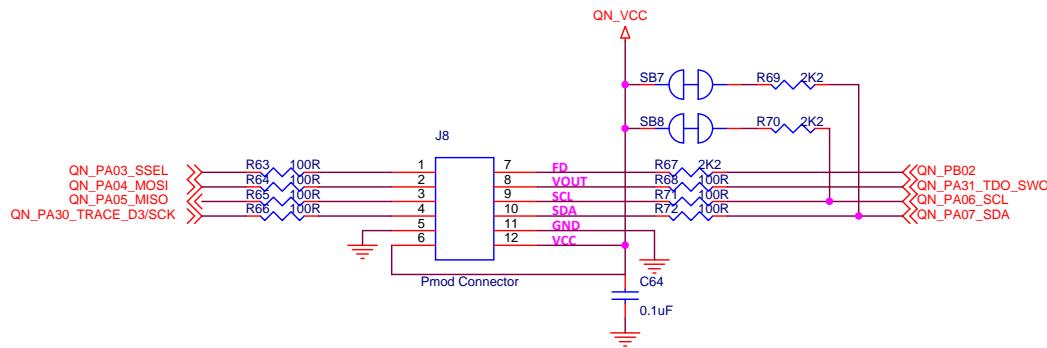
Analog In



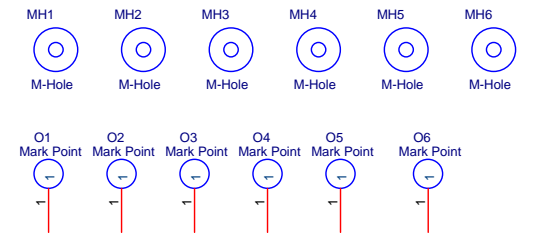
Digital



Pmod with I2C/SPI compatible



Board Assemble Holes and Optical Mark Point



NXP Semiconductors		
Title		
QN908x DK V1.2		
Size	Document Number	Rev
B		V1.2
Date:	Thursday, November 24, 2016	Sheet 6 of 6