

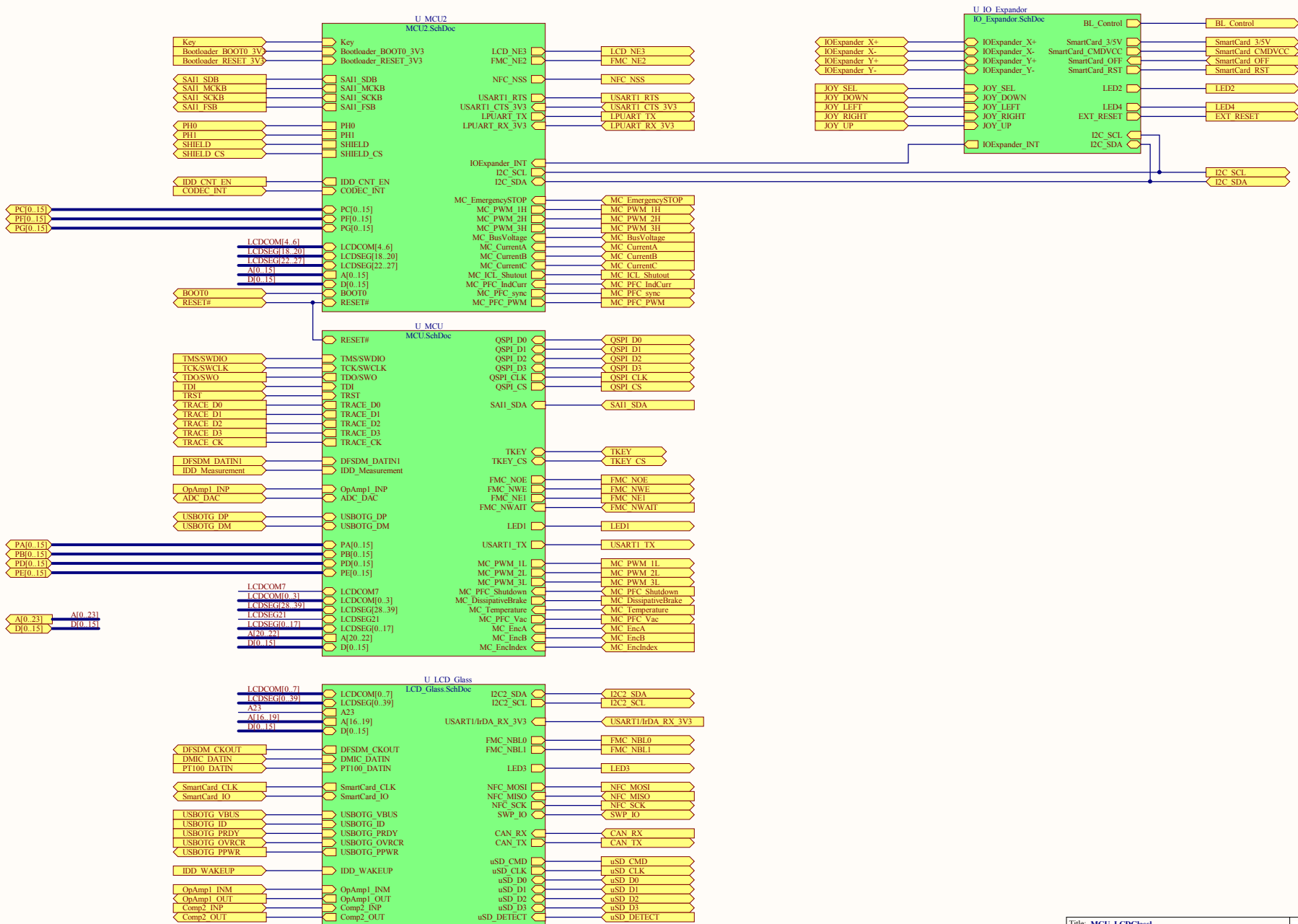
BoM history for PCB B boards:

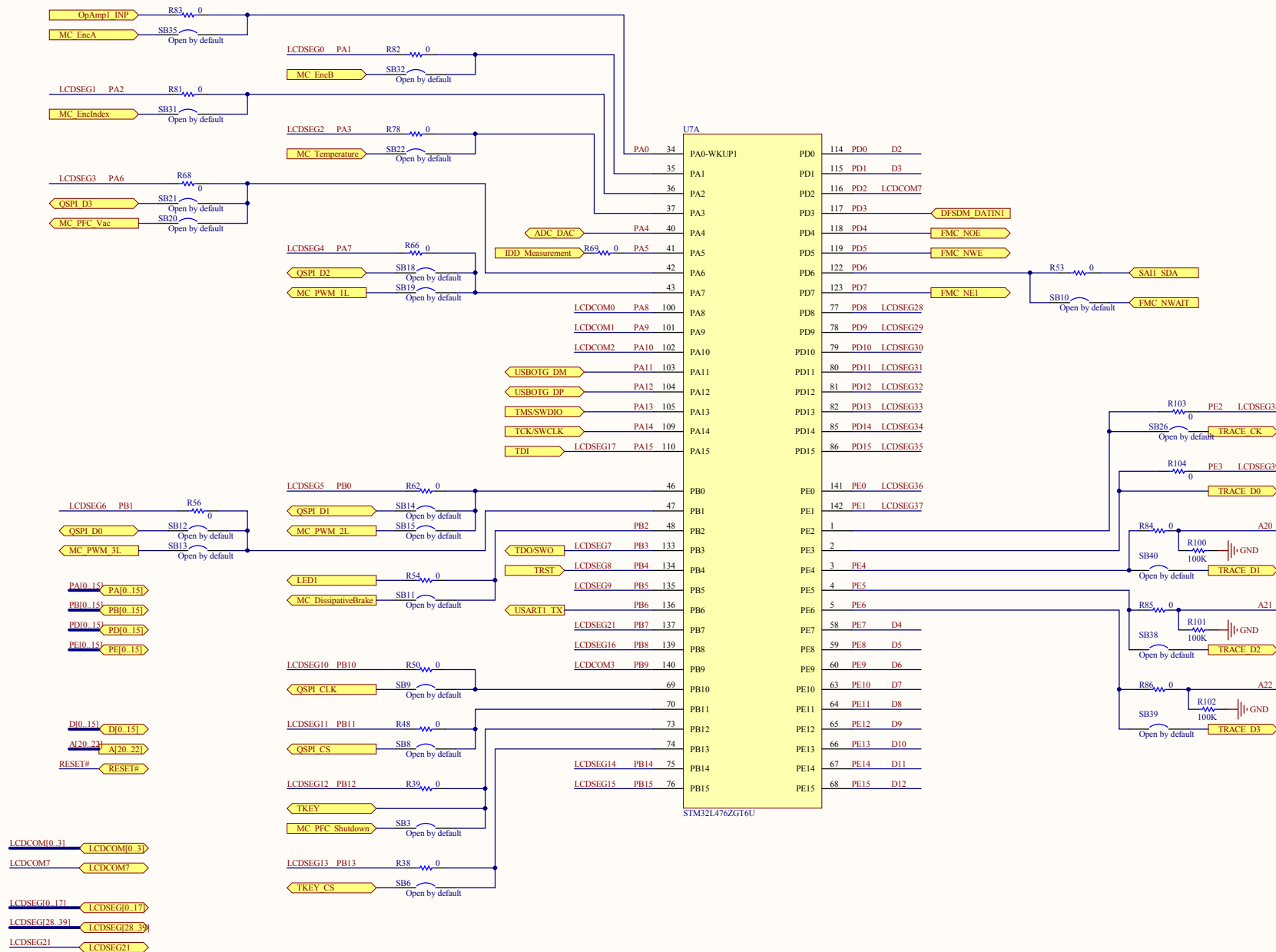
- B01: creation
- B02: added micro SD card, changed reference of crystal X1, and values of C56, C57

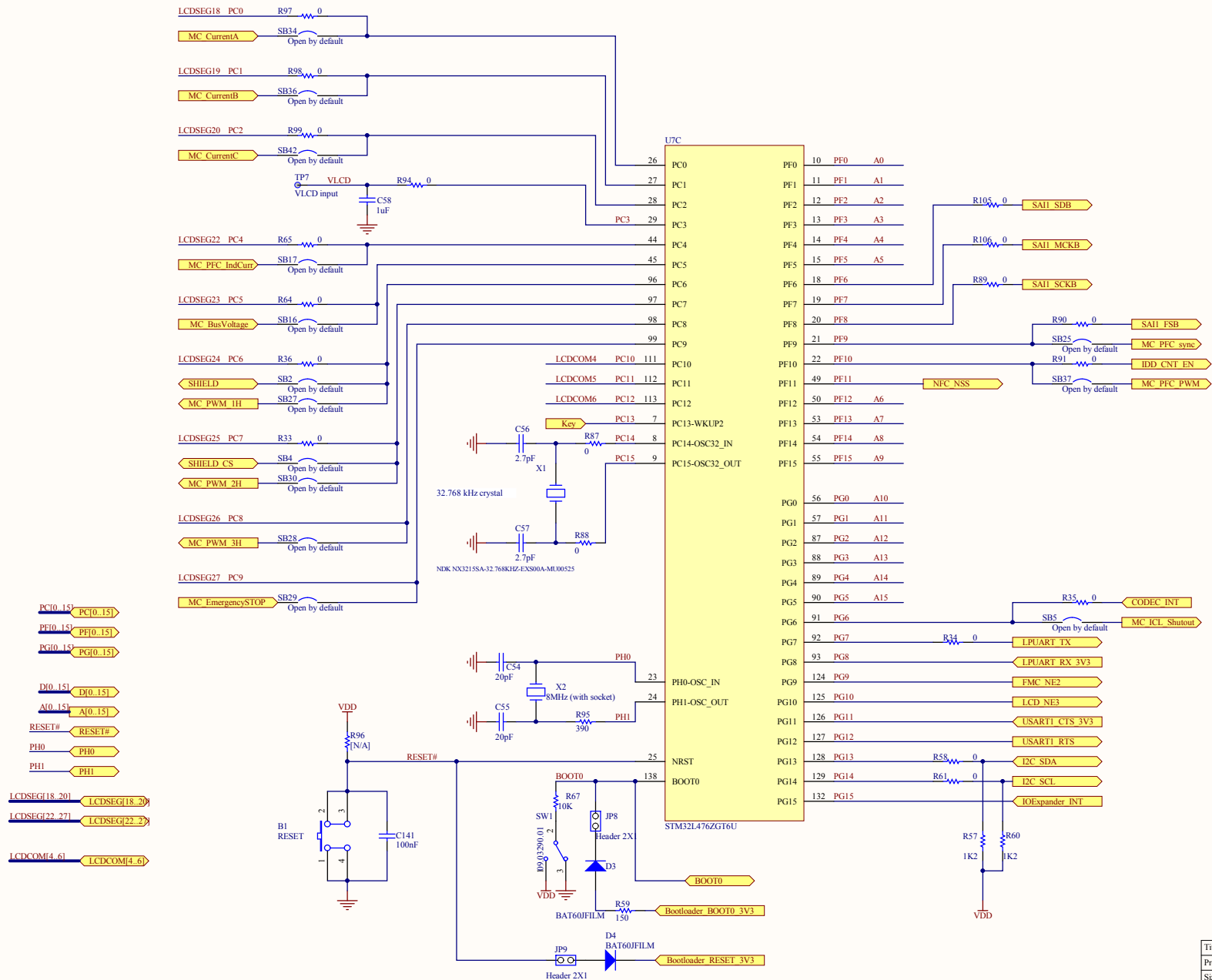
Note: In all sheets, *italic* format is used to differentiate text from schematic Net labels.

Title: Top schematic	
Project: STM32L476G-EVAL	
Size: A3	Reference: MB1144
Date: 6/24/2015	Revision: B-02
	Sheet: 1 of 25







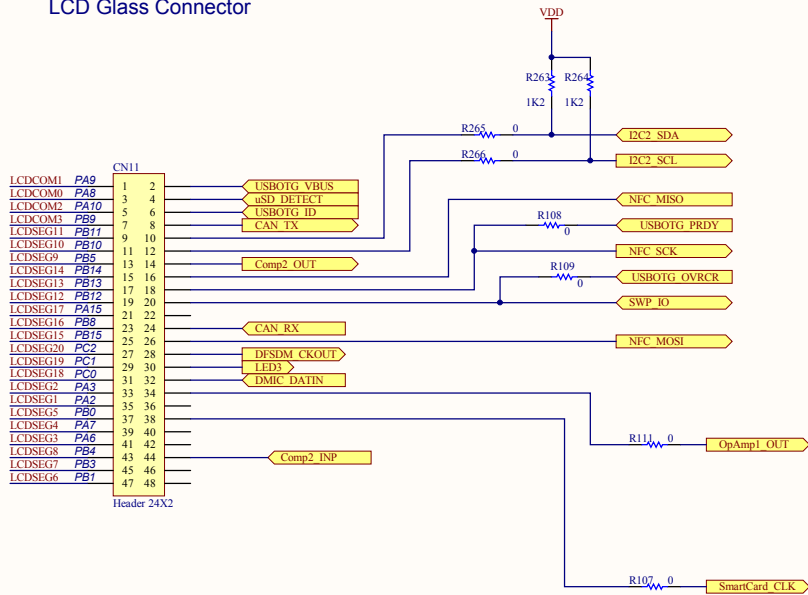


- PC10_15] > PC10_15]
- PF0_15] > PF0_15]
- PG0_15] > PG0_15]
- D0_15] > D0_15]
- A0_15] > A0_15]
- RESET# > RESET#
- PH0 > PH0
- PH1 > PH1
- LCDSEG18_201 > LCDSEG18_201
- LCDSEG22_271 > LCDSEG22_271
- LCDCOM4_61 > LCDCOM4_61

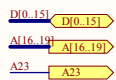
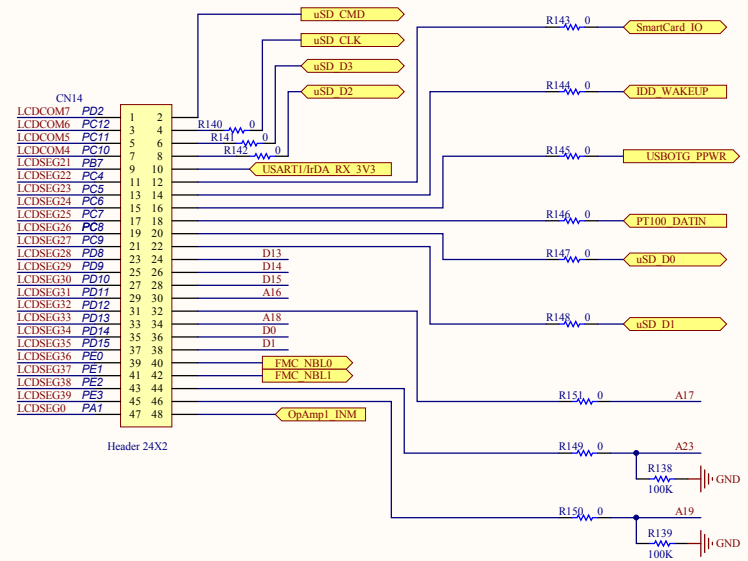
Title: MCU2	
Project: STM32L476G-EVAL	
Size: A3	Reference: MB1144
Date: 7/10/2015	Revision: B-02
Sheet: 4 of 25	

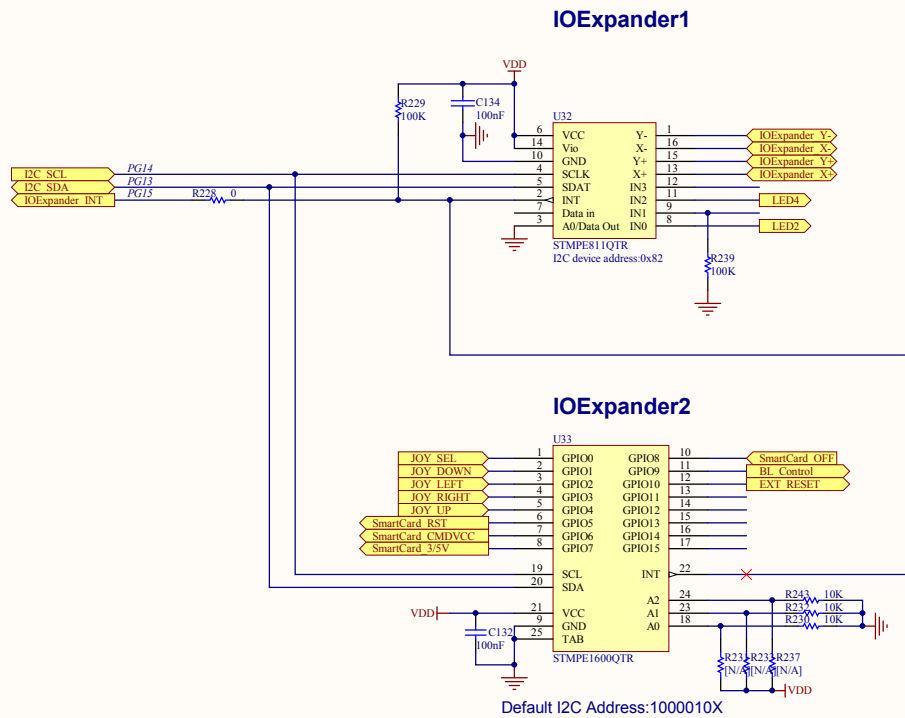


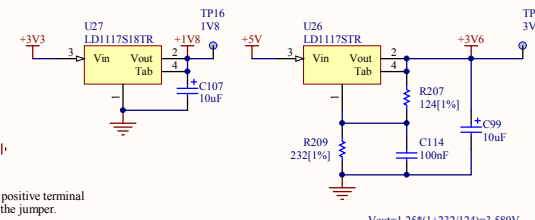
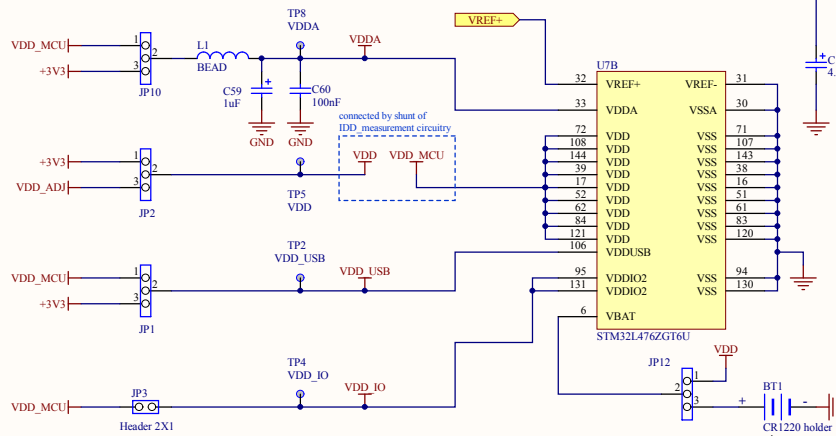
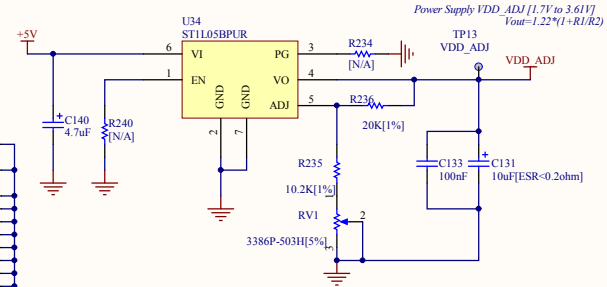
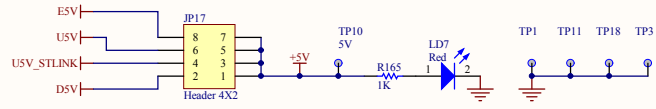
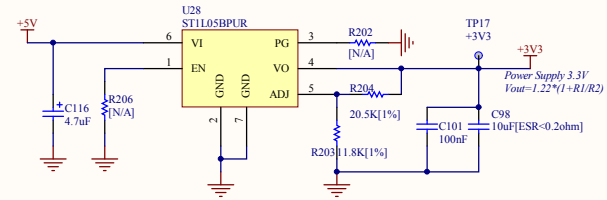
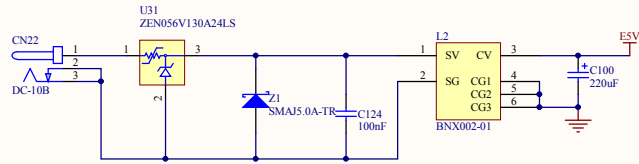
LCD Glass Connector



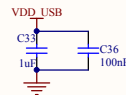
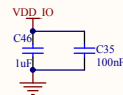
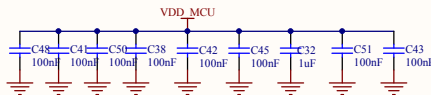
LCD Glass Connector



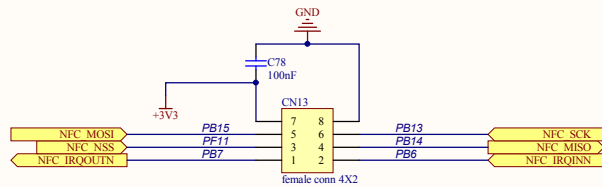
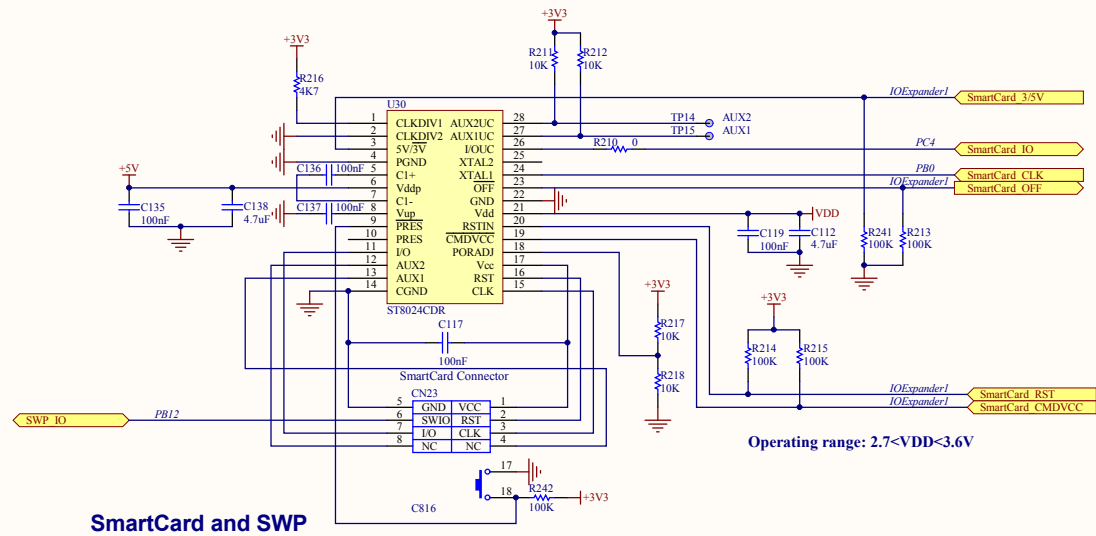




Recommendation:
 100nF decoupling capacitor for each VDD pin



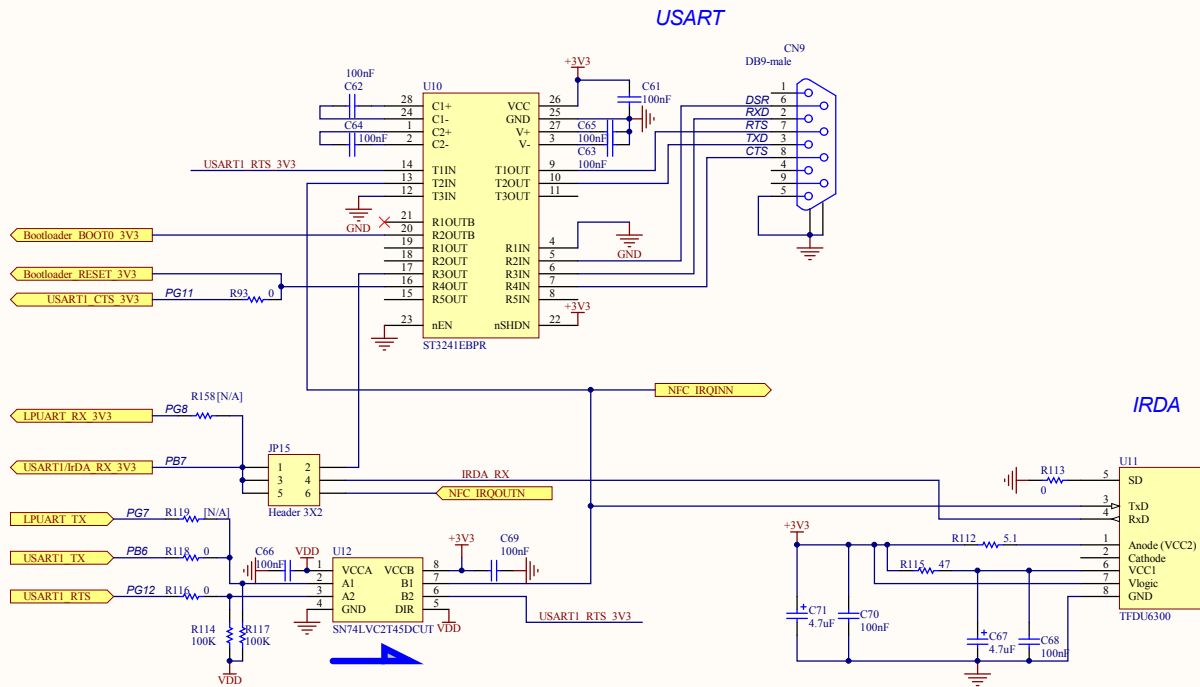
to use a supercapacitor:
 remove the jumper, and connect positive terminal of the supercapacitor to pin 2 of the jumper.

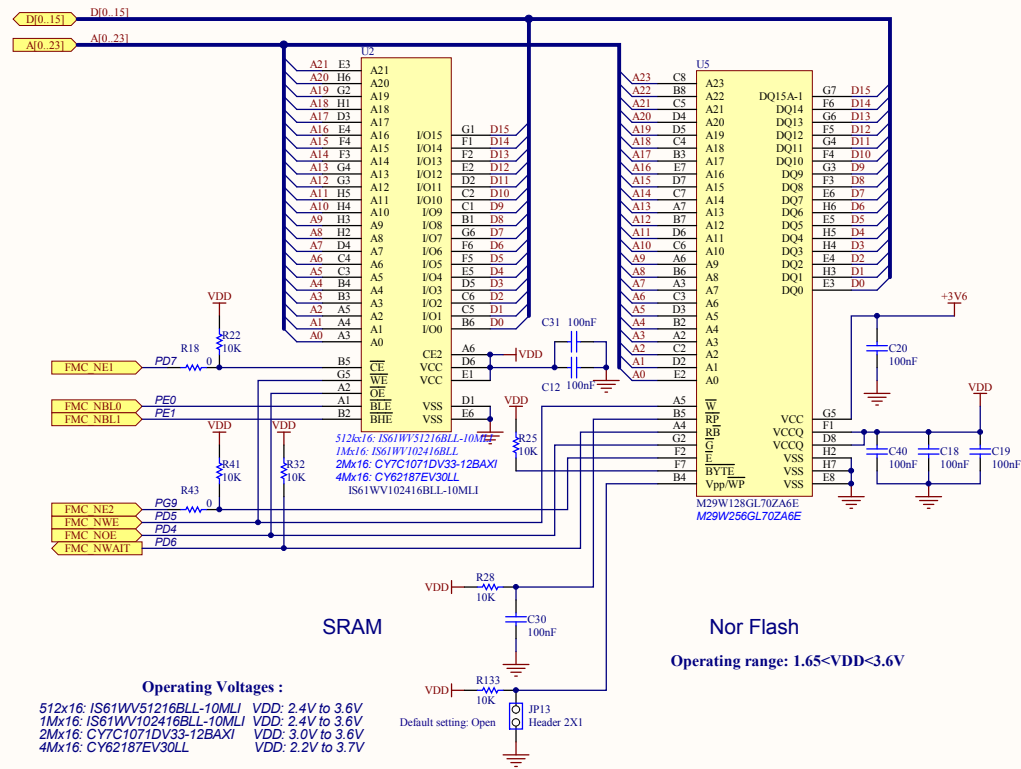


NFC kit reference: CR95HF-B

Operating Voltage: +3.3V

NFC

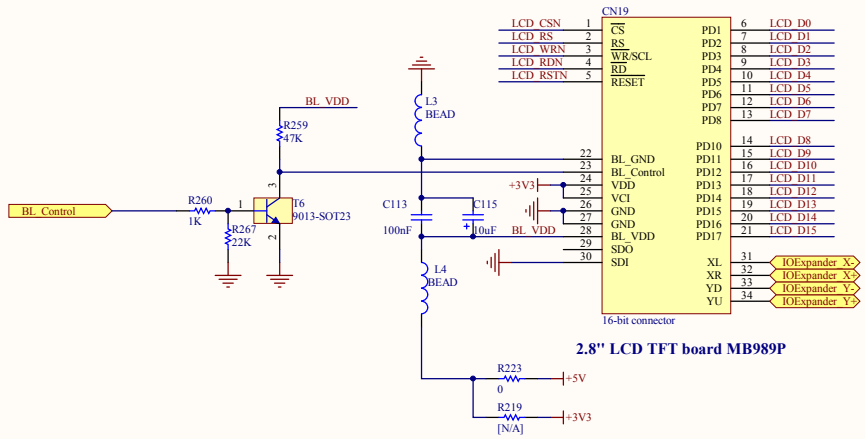




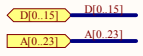
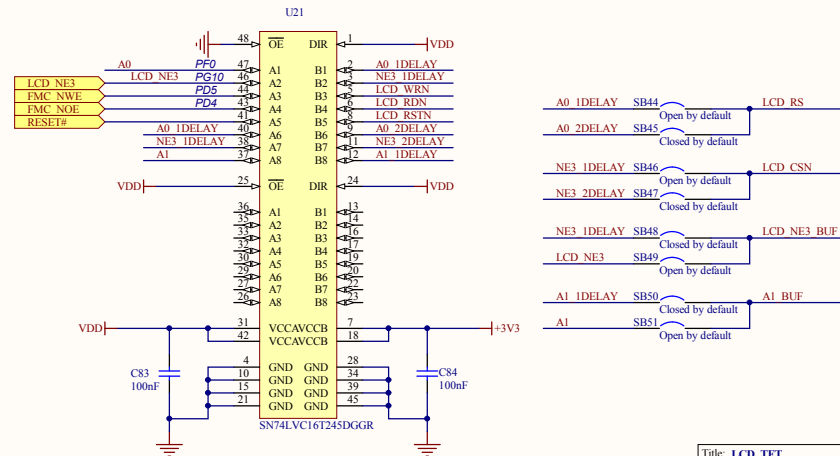
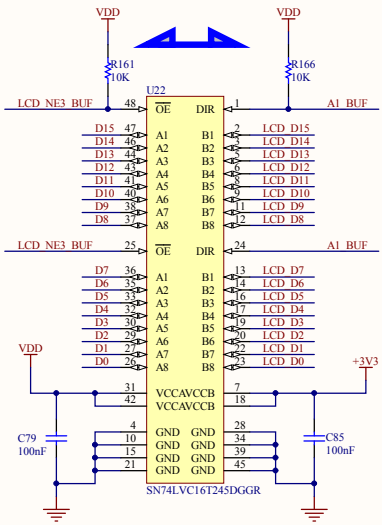
Title: SRAM&Flash		
Project: STM32L476G-EVAL		
Size: A3	Reference: MB1144	Revision: B-02
Date: 6/24/2015	Sheet: 10 of 25	

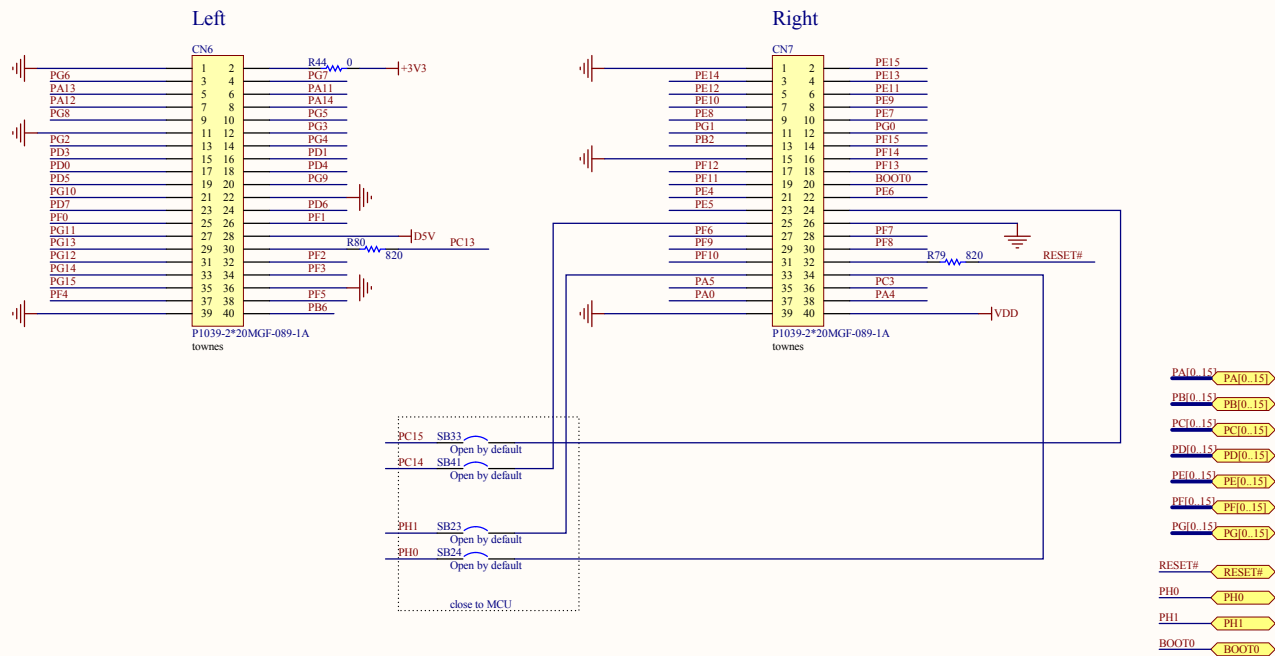


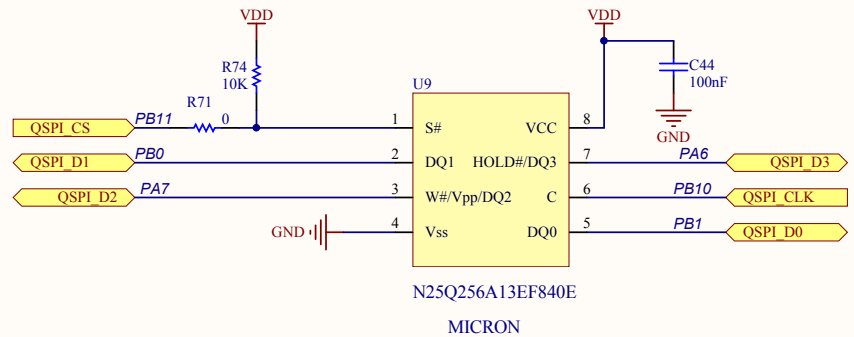
TFT LCD



2.8" LCD TFT board MB989P





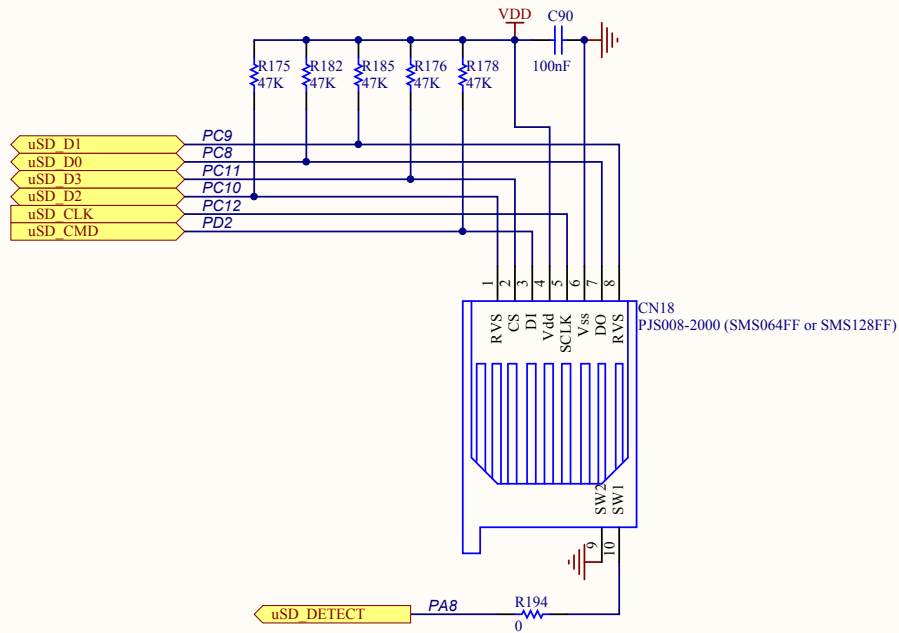


Quad SPI Memory

Operating range: 2.7<VDD<3.6V

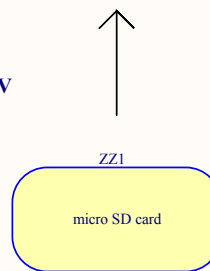
Title: QSPI		
Project: STM32L476G-EVAL		
Size: A4	Reference: MB1144	Revision: B-02
Date: 6/24/2015	Sheet: 13 of 25	




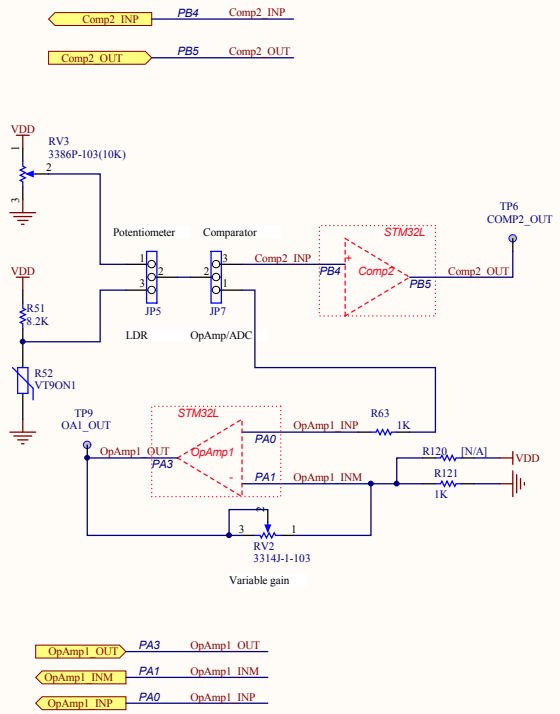


MicroSD card

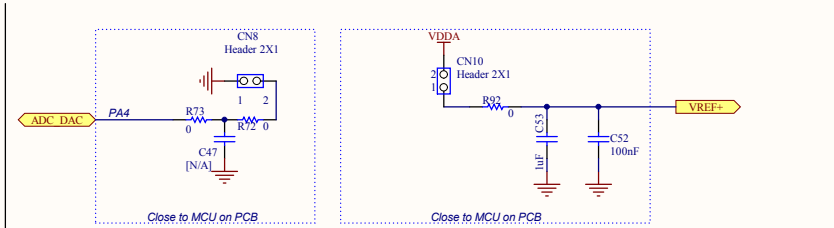
Operating Voltage: VDD no Lower than 2.7V



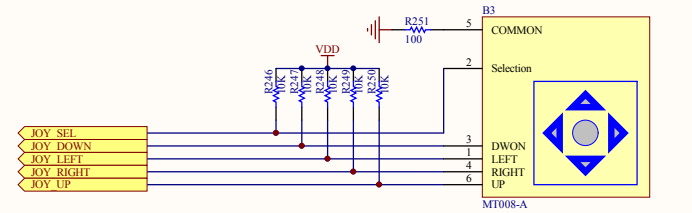
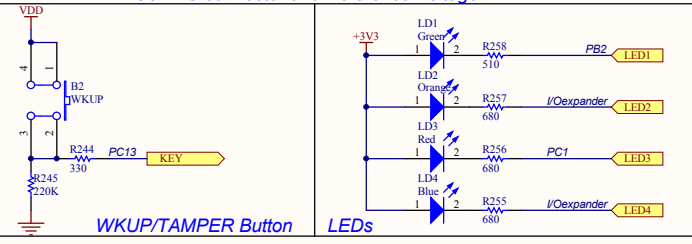
Title: MicroSD			 life.augmented
Project: STM32L476G-EVAL			
Size: A4	Reference: MB1144	Revision: B-02	
Date: 6/24/2015	Sheet: 14 of 25		

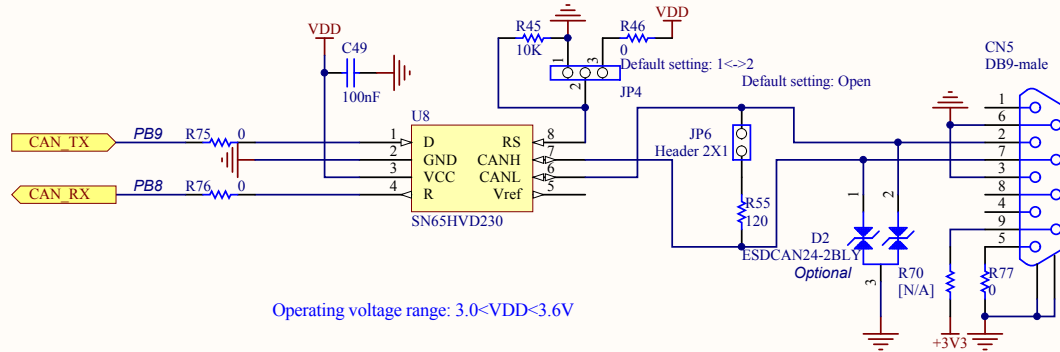


Potentiometer/LDR



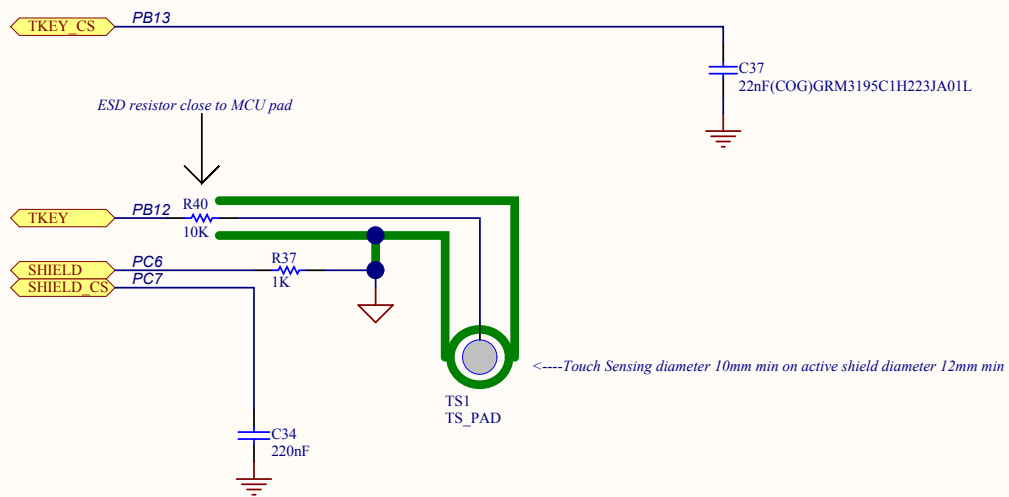
ADC&DAC connector and Reference Voltage

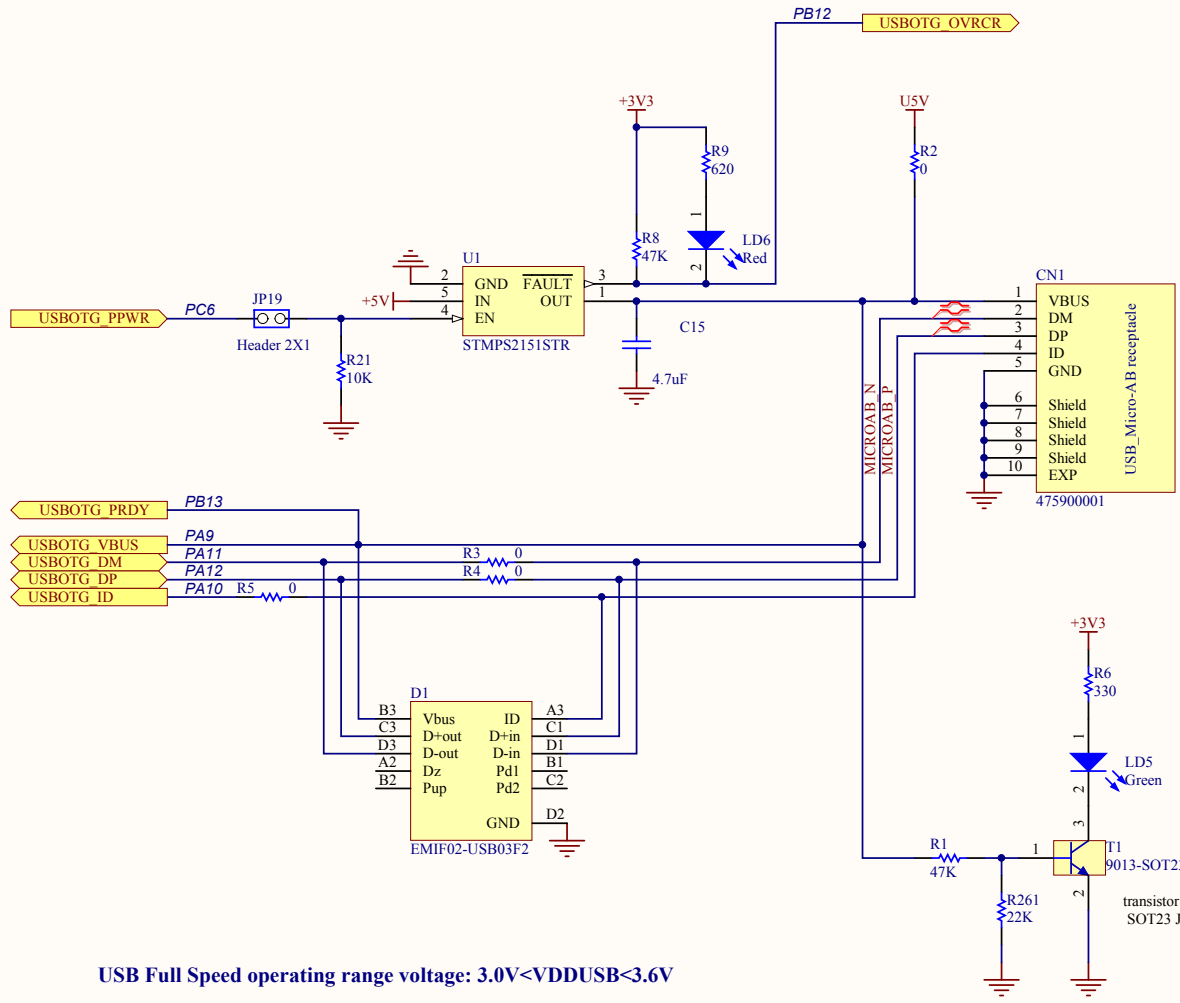




Title: CAN		
Project: STM32L476G-EVAL		
Size: A4	Reference: MB1144	Revision: B-02
Date: 6/24/2015	Sheet: 16 of 25	



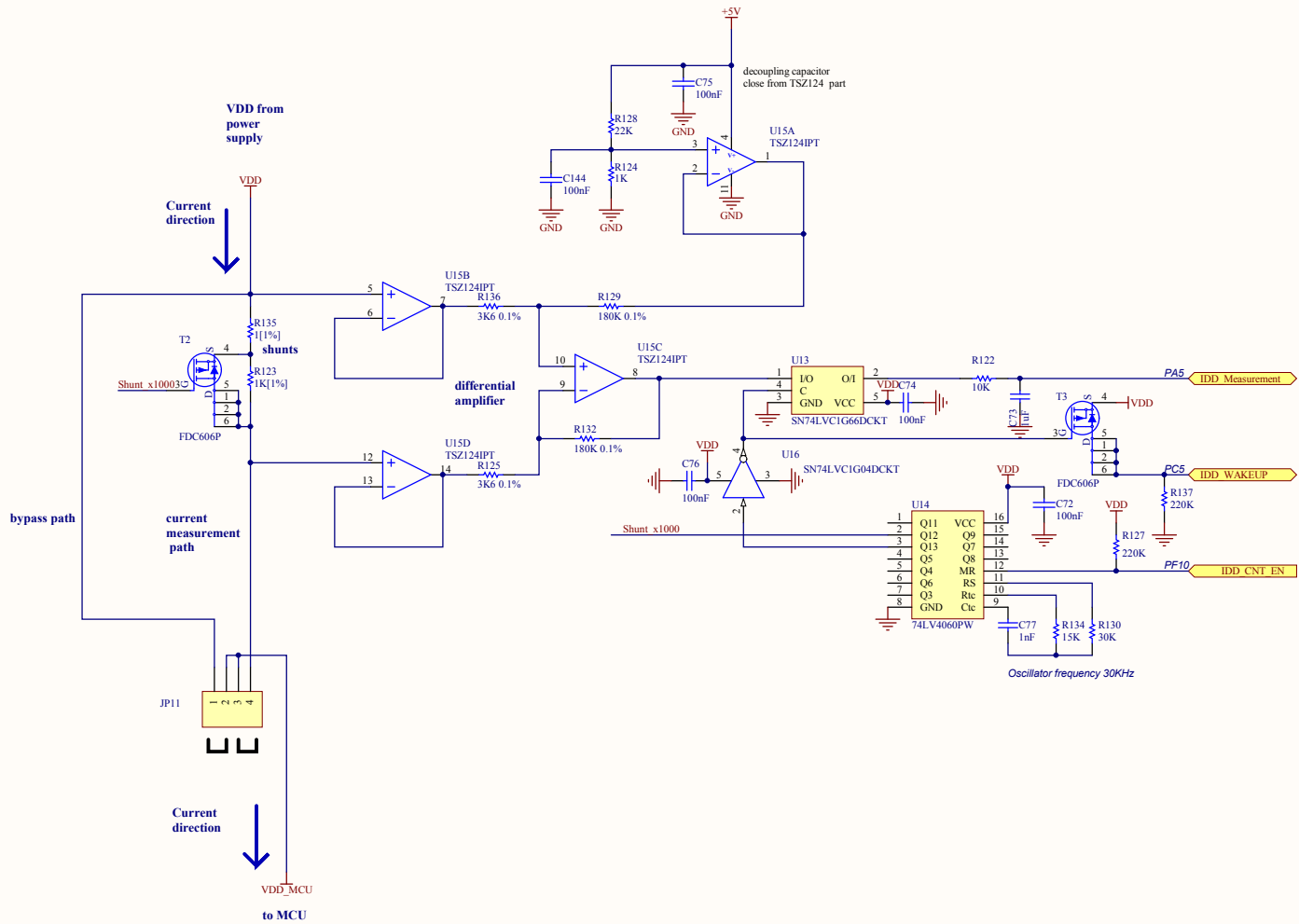


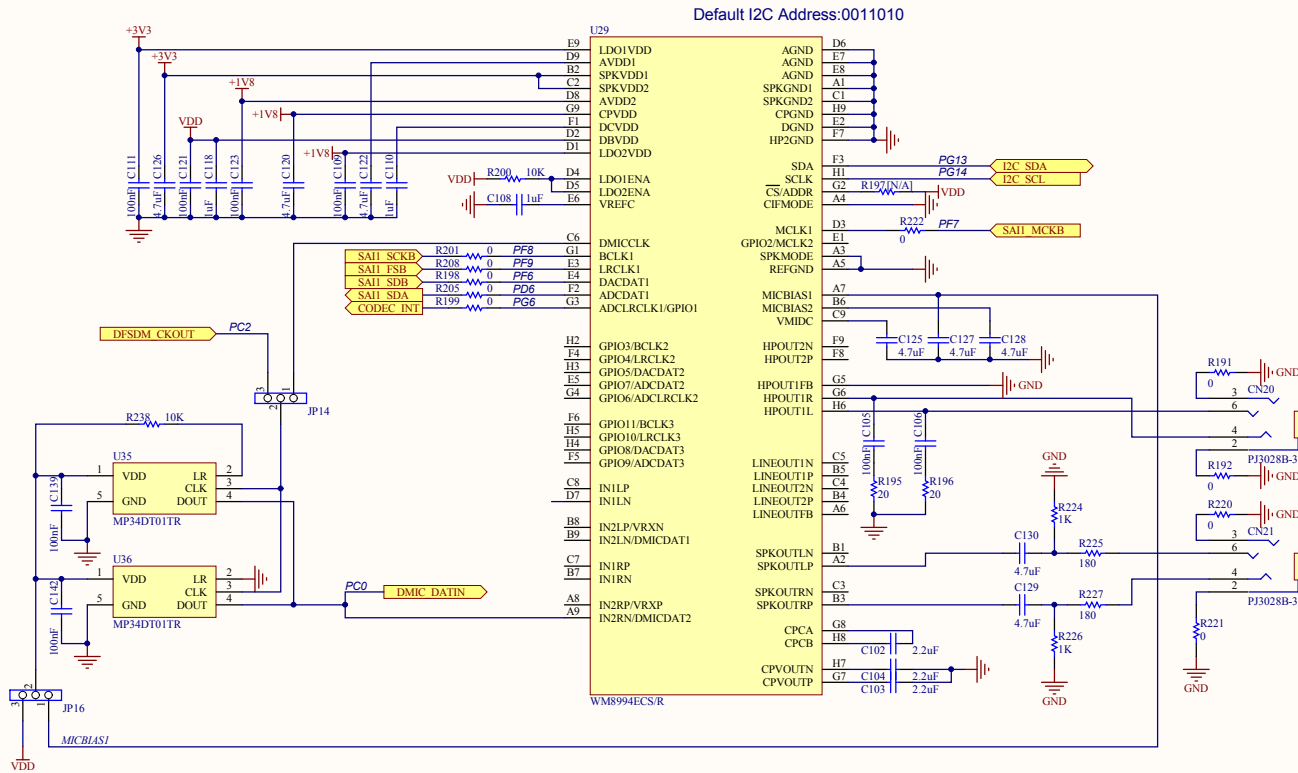


USB Full Speed operating range voltage: 3.0V<VDDUSB<3.6V

Title: USB_OTG_FS	
Project: STM32L476G-EVAL	
Size: A4	Reference: MB1144
Date: 6/24/2015	Revision: B-02
Sheet: 18 of 25	



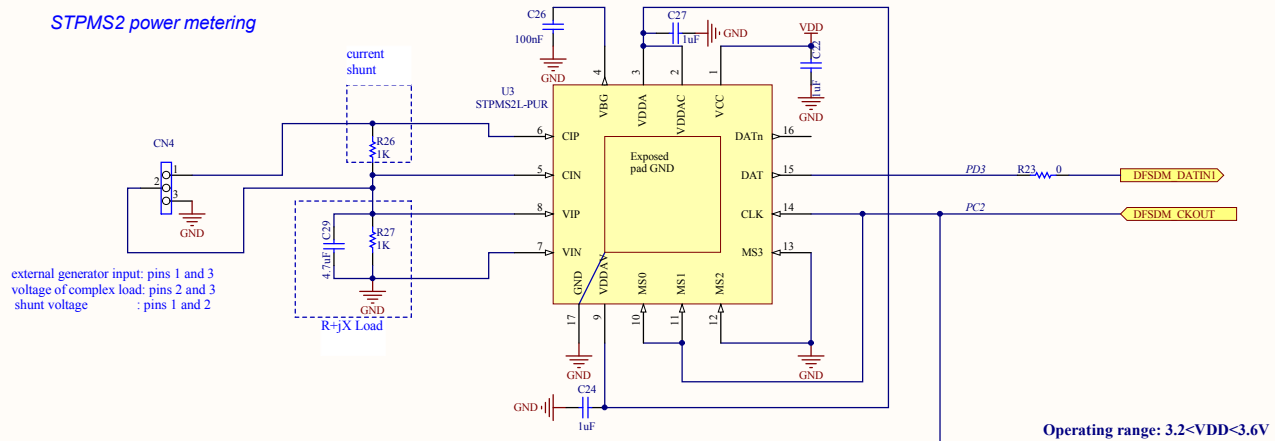




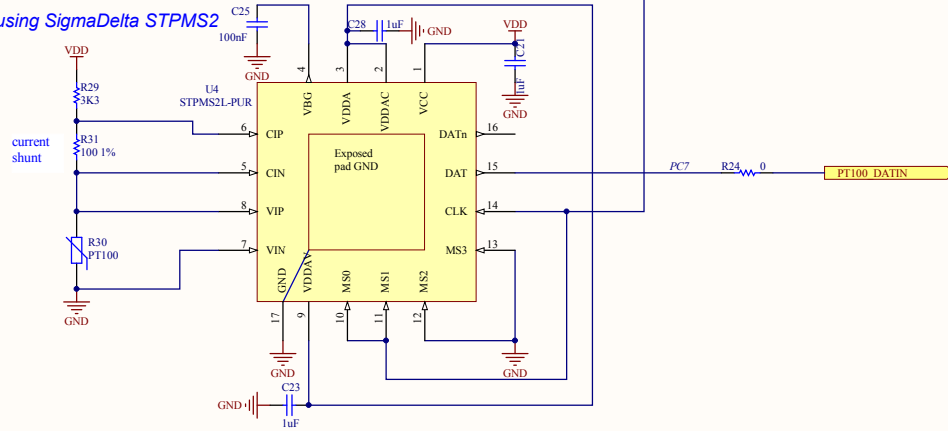
Default I2C Address:0011010

Operating range: 1.62<VDD<3.6V

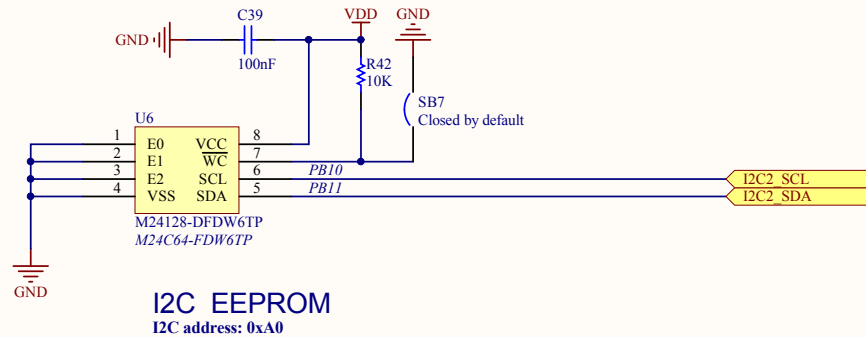
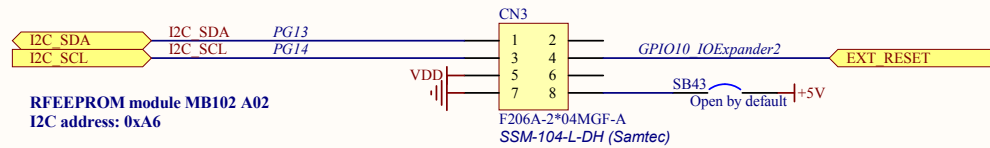
STPMS2 power metering



PT100 measurement using SigmaDelta STPMS2



EXT/RFEEPROM Connector

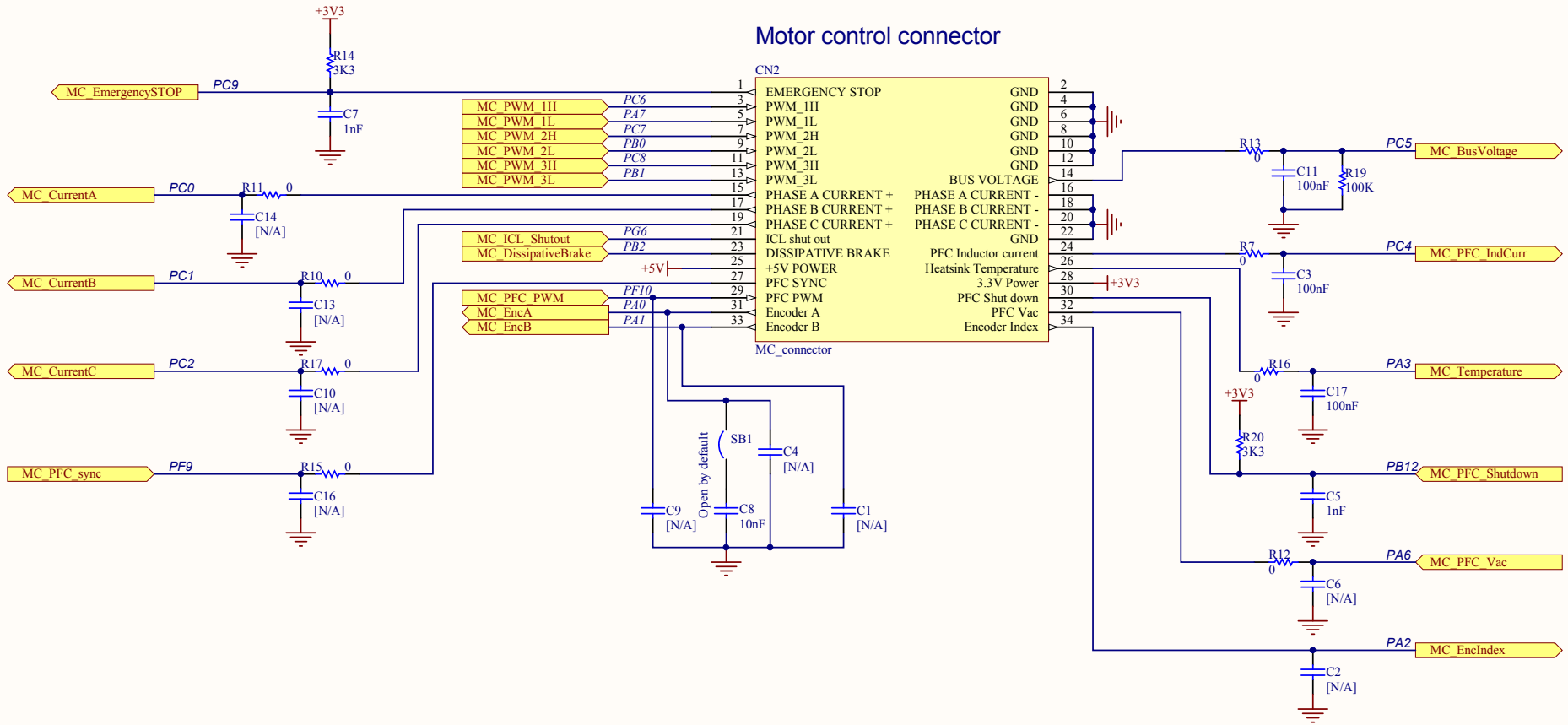


operating voltage ranges:
 1MHz 64Kbit I2C memory M24C64-FDW6TP: 1.7 to 5.5V
 1MHz 128Kbit I2C memory M24128-FDW6TP: 1.7 to 5.5V

Title: RF_I2C_EEPROM		
Project: STM32L476G-EVAL		
Size: A4	Reference: MB1144	Revision: B-02
Date: 6/24/2015	Sheet: 22 of 25	

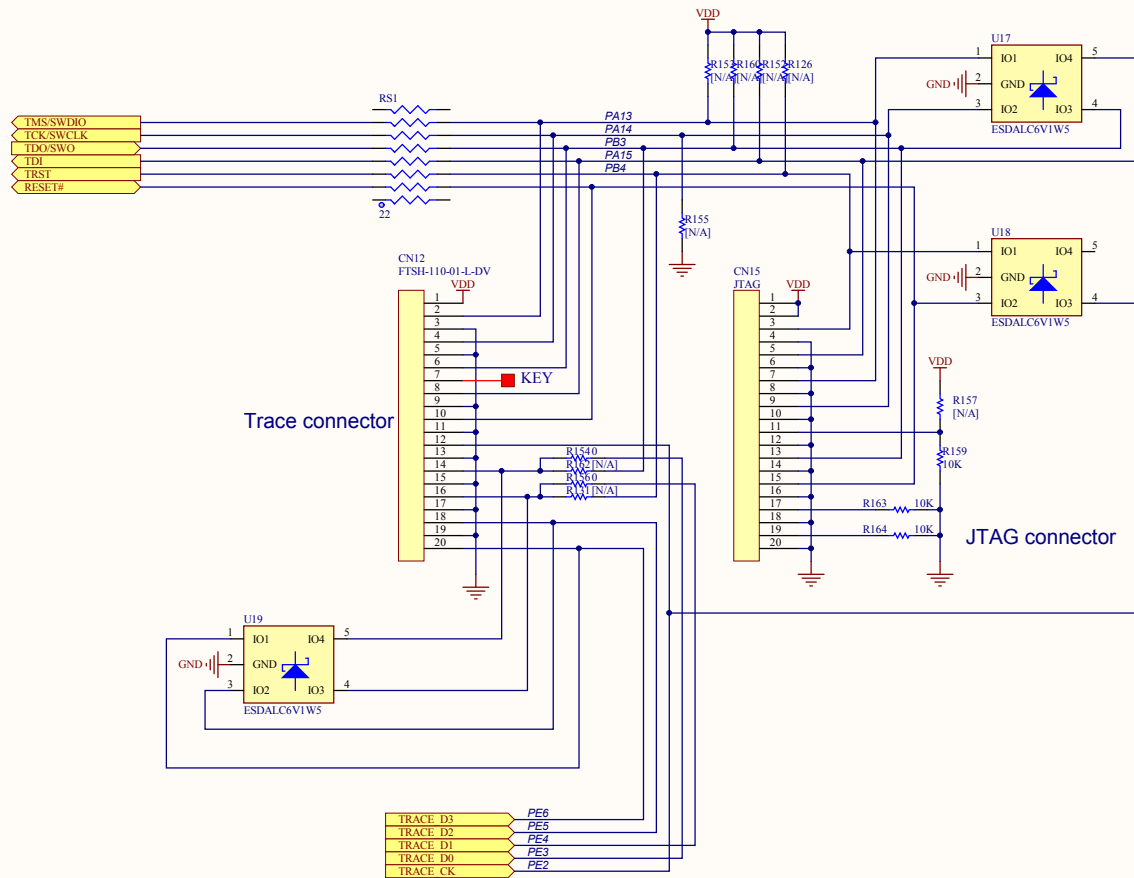


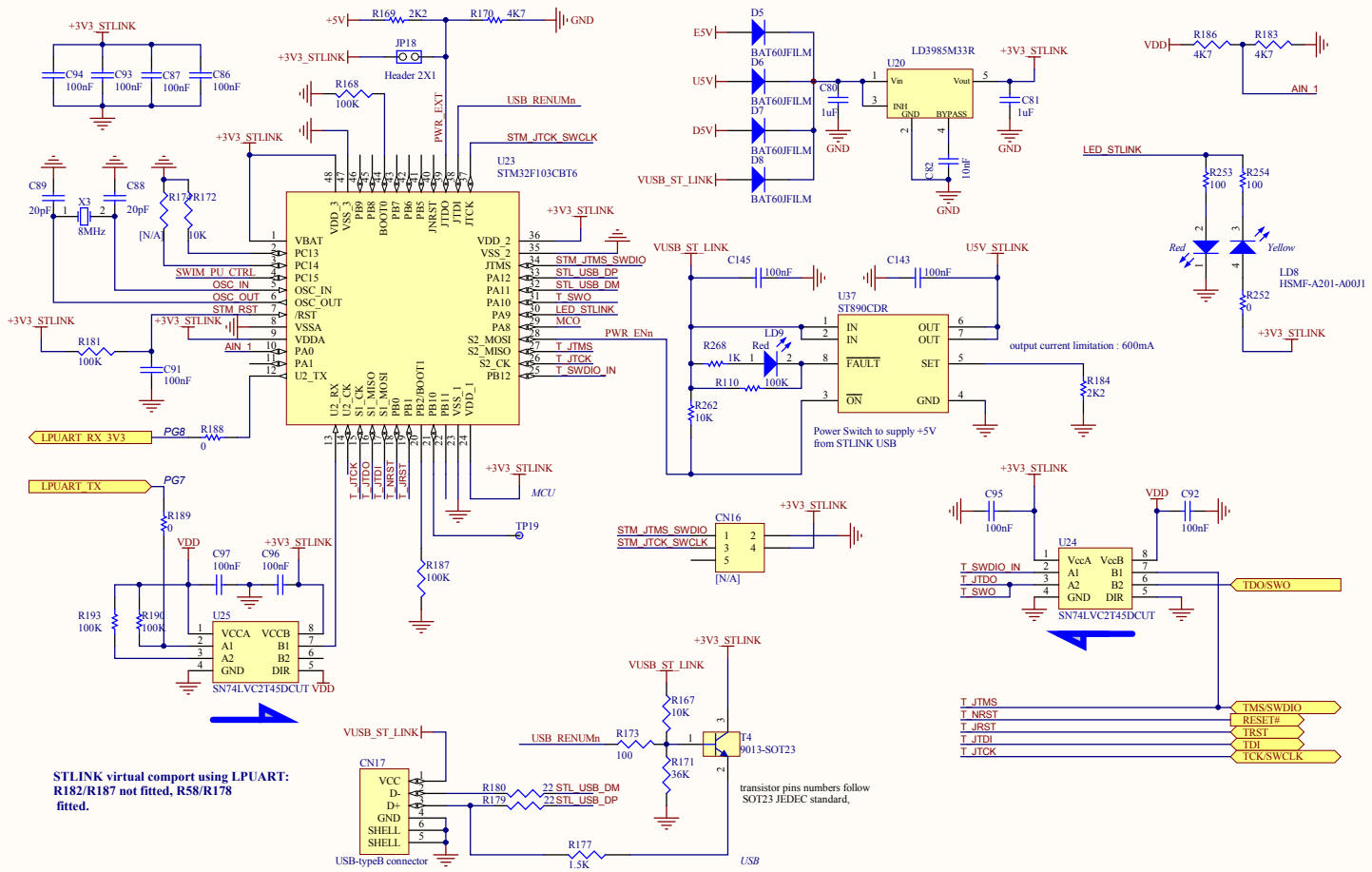
Motor control connector



Title: MotorControl		
Project: STM32L476G-EVAL		
Size: A4	Reference: MB1144	Revision: B-02
Date: 6/24/2015	Sheet: 23 of 25	







STLINK virtual comport using LPUART:
R182/R187 not fitted, R58/R178 fitted.

transistor pins numbers follow SOT23 JEDEC standard,

