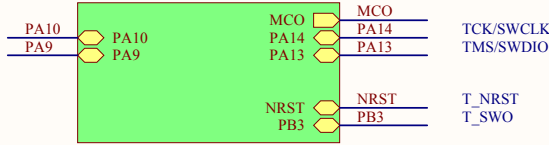
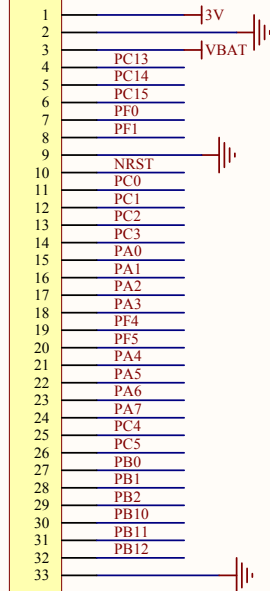


ST\_LINK\_V2.SCHDOC  
U\_ST\_LINK

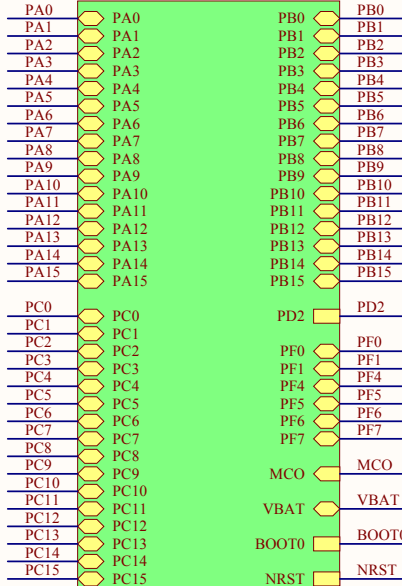


P1

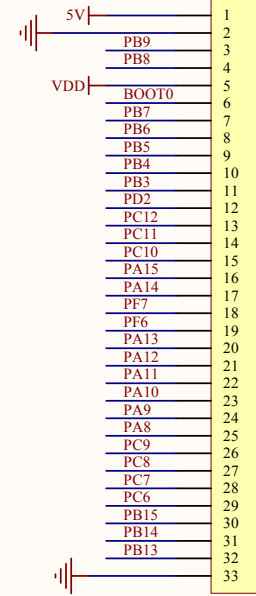


Header 33

U\_STM32Fx  
STM32Fx.SchDoc



P2



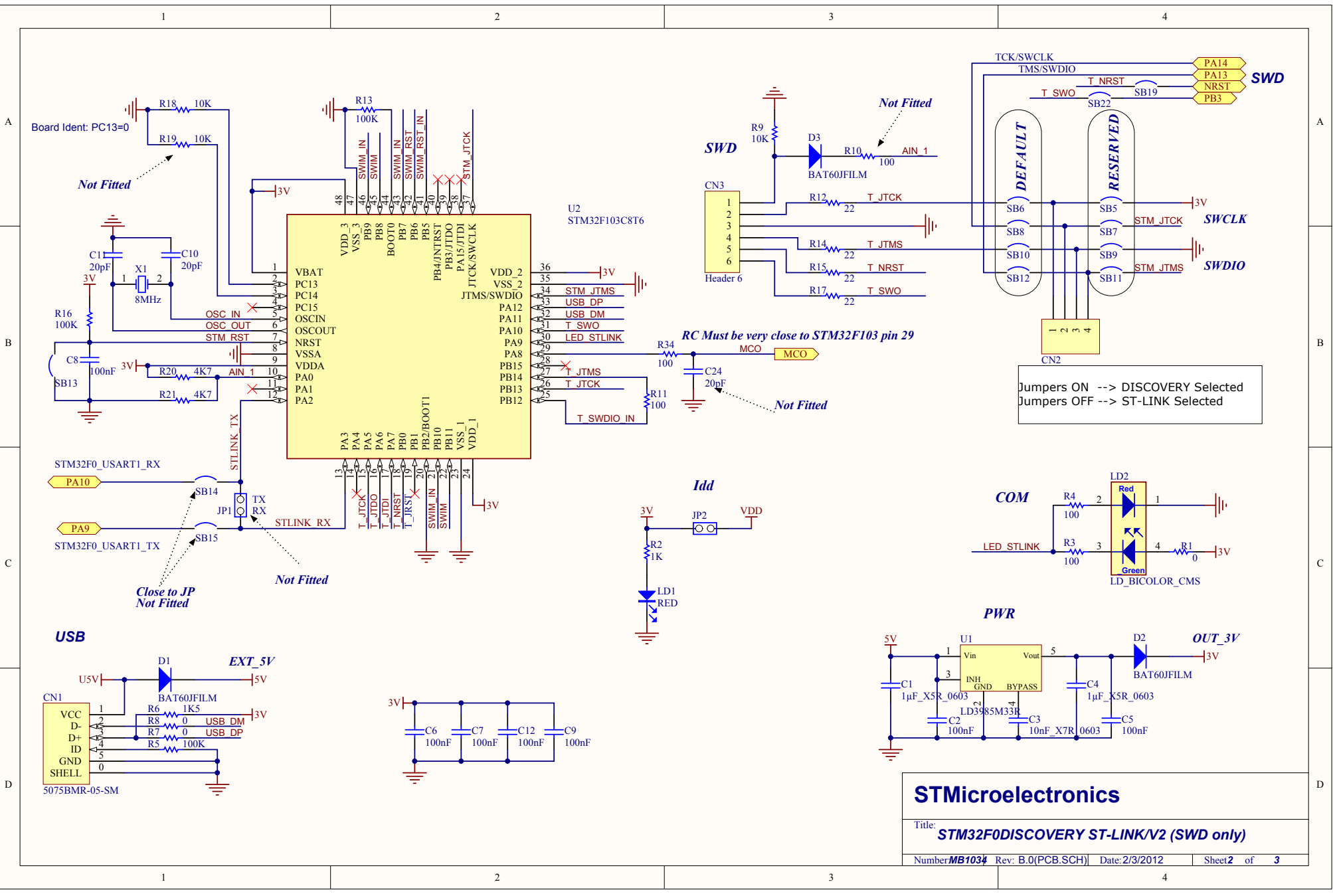
Header 33

RevB.0 --> PCB label MB1034 B-00  
 PA6, PA7, PC4, PC5, PB0, PB1 are available and P1, P2 are Header 33 pts  
 RevA.0 --> PCB label MB1034 A-00

# STMicroelectronics

Title: **STM32F0DISCOVERY**

Number **MB1034** Rev: B.0(PCB.SCH) Date: 2/3/2012 Sheet **1** of **3**

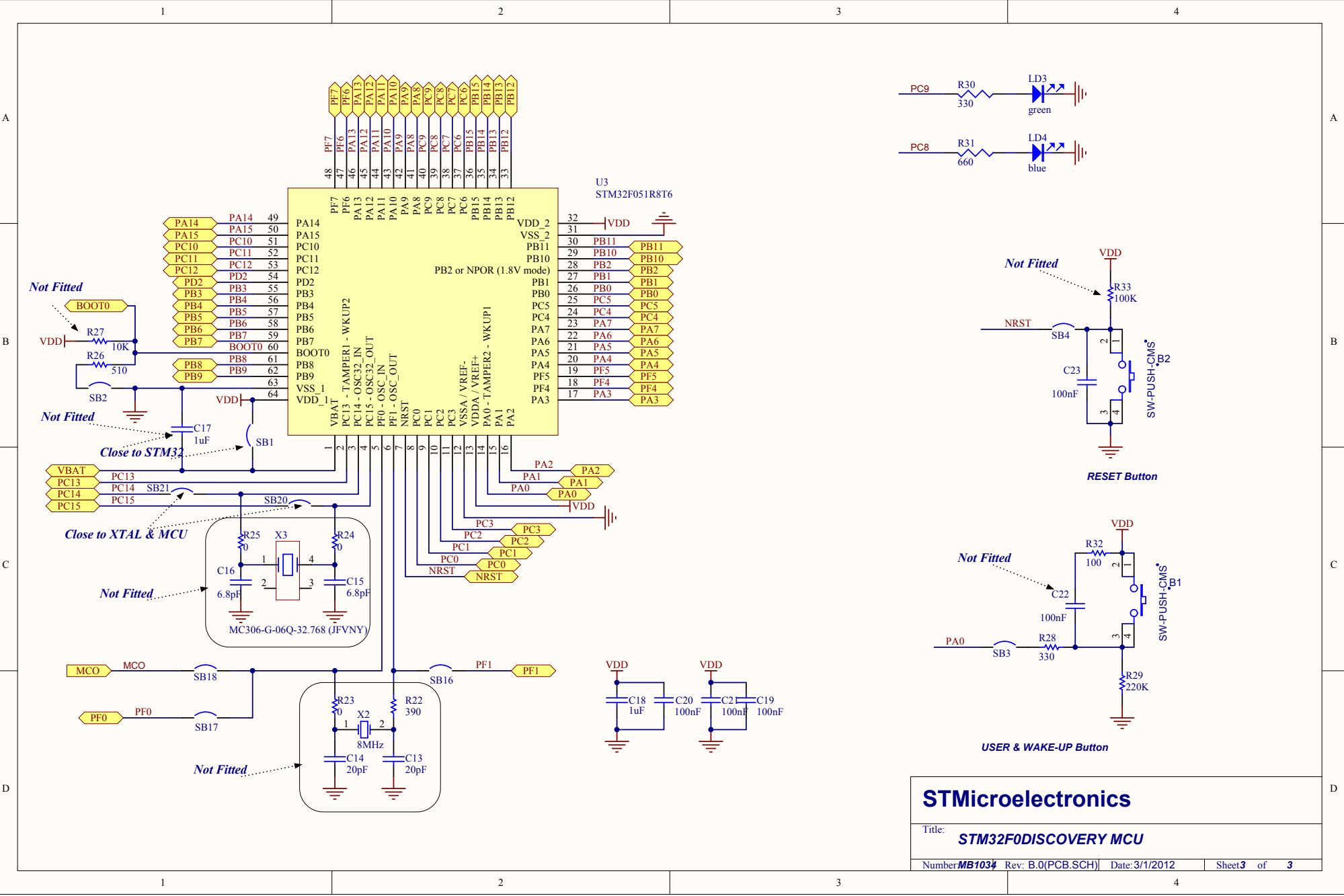


Jumpers ON --> DISCOVERY Selected  
 Jumpers OFF --> ST-LINK Selected

**STMicroelectronics**

Title: **STM32F0DISCOVERY ST-LINK/V2 (SWD only)**

Number **MB1034** Rev: B.0(PCB.SCH) Date: 2/3/2012 Sheet 2 of 3



**STMicroelectronics**

Title: **STM32F0DISCOVERY MCU**

Number **MB1034** Rev: B.0(PCB.SCH) Date: 3/1/2012 Sheet **3** of **3**