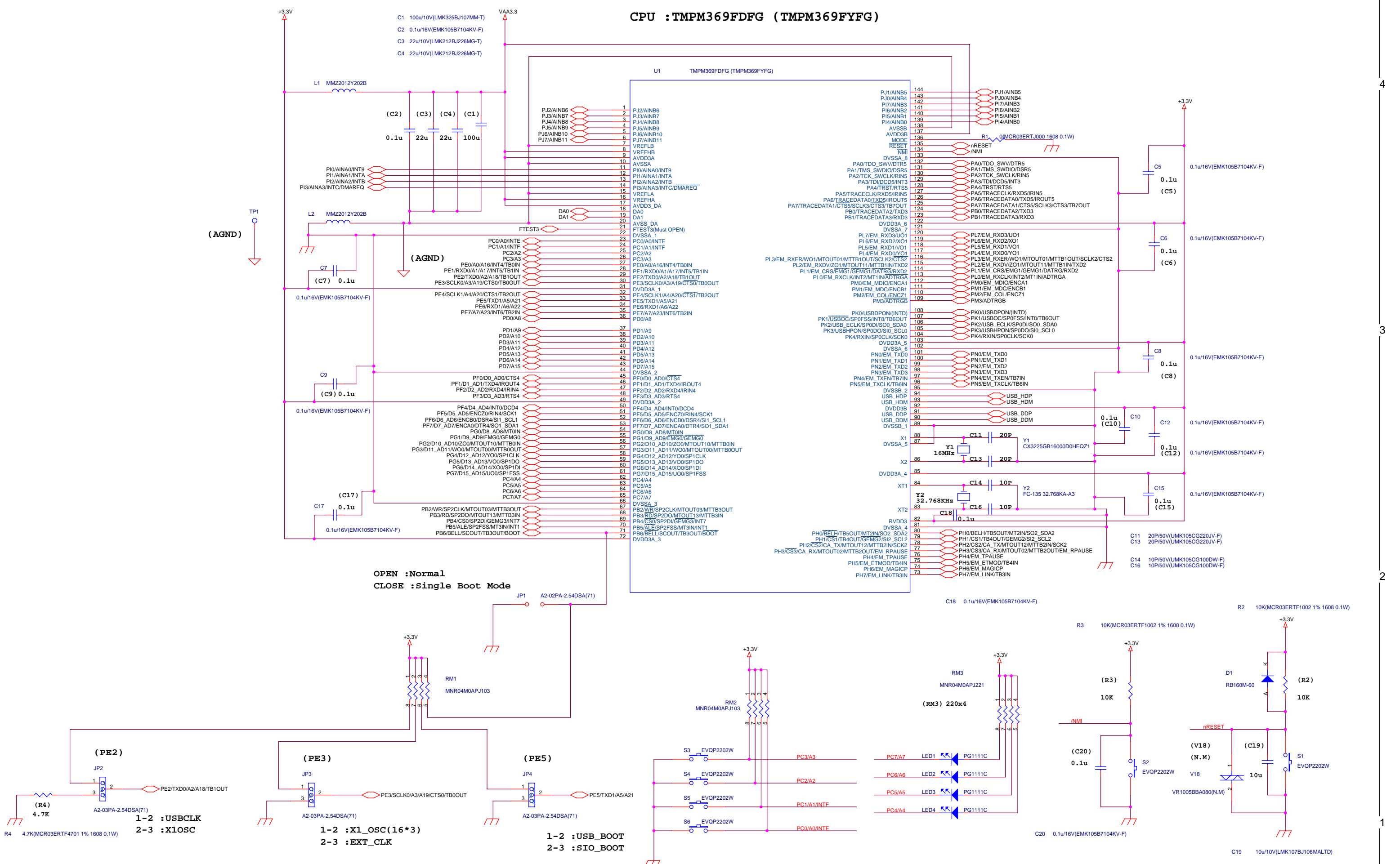


Title		
TMPM369 EVALUATION_BOARD		
Size	Document Number	Rev
A3		1.0
Date:	Monday, August 27, 2012	Sheet 1 of 6

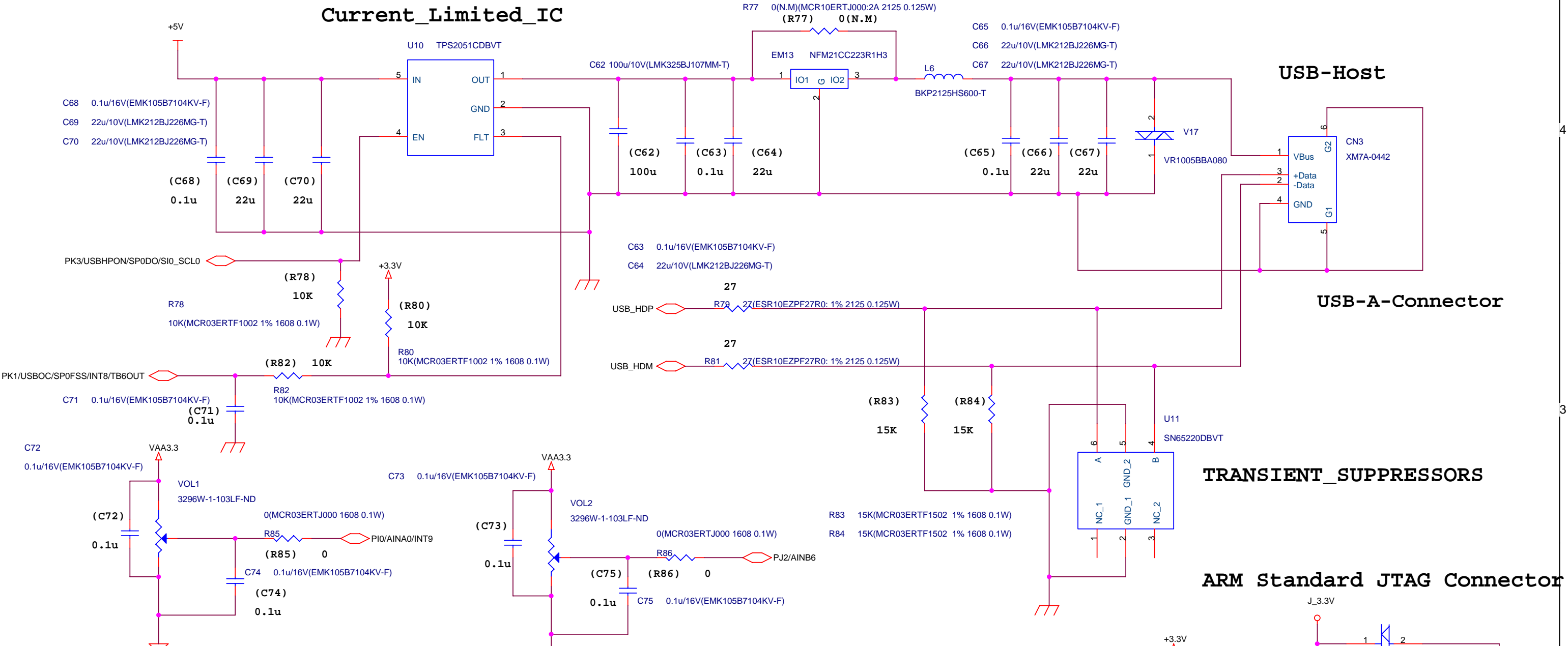
CPU :TMPM369FDFG (TMPM369FYFG)



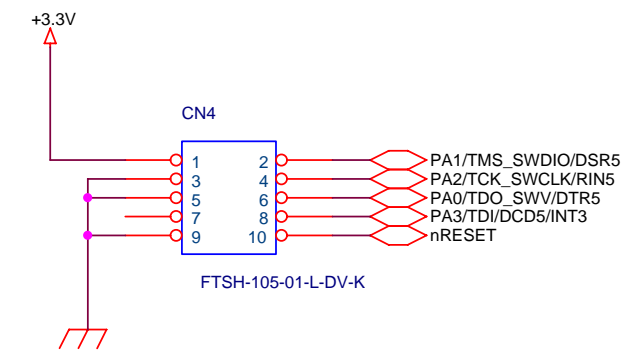
OPEN :Normal
CLOSE :Single Boot Mode

Title		
TMPM369 EVALUATION_BOARD		
Size	Document Number	Rev
A2		1.0
Date:	Monday, August 27, 2012	Sheet 2 of 6

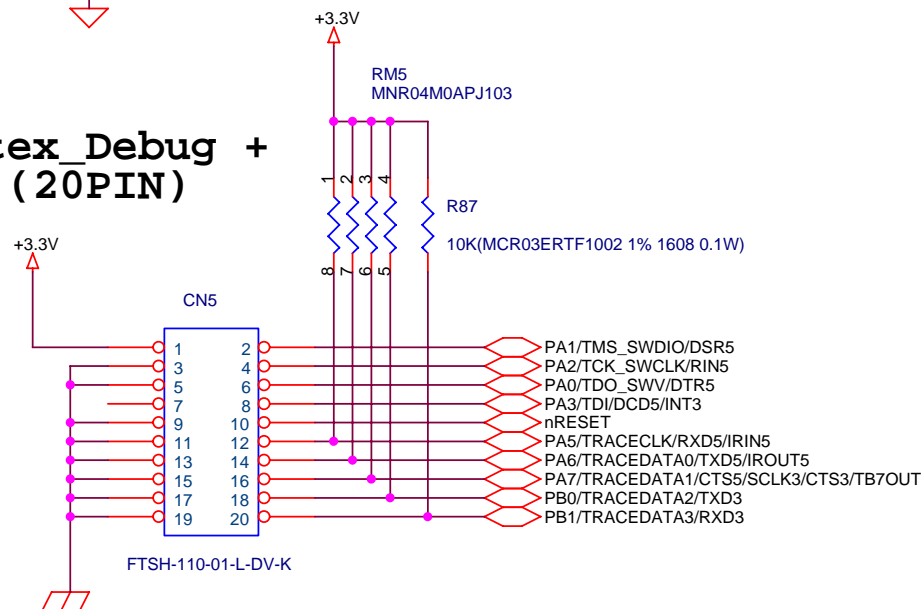
Current_Limited_IC



Cortex_Debug (10PIN)

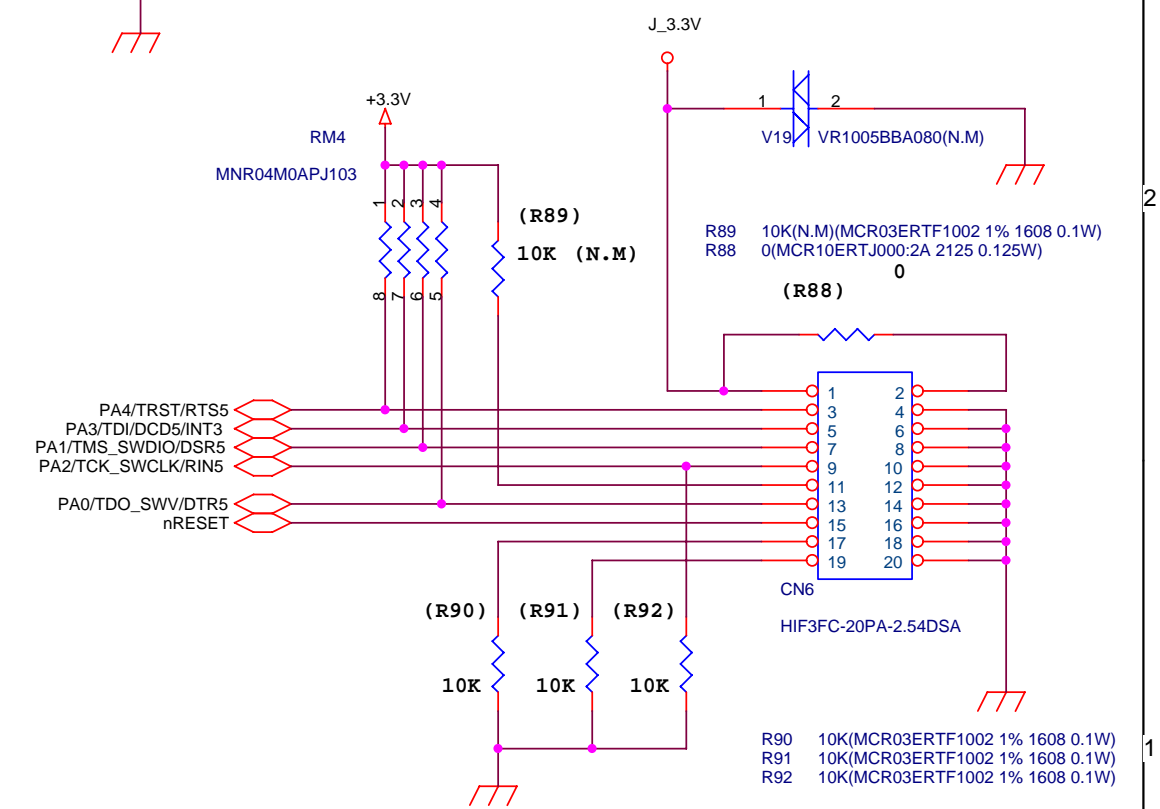


Cortex_Debug + ETM (20PIN)



TRANSIENT_SUPPRESSORS

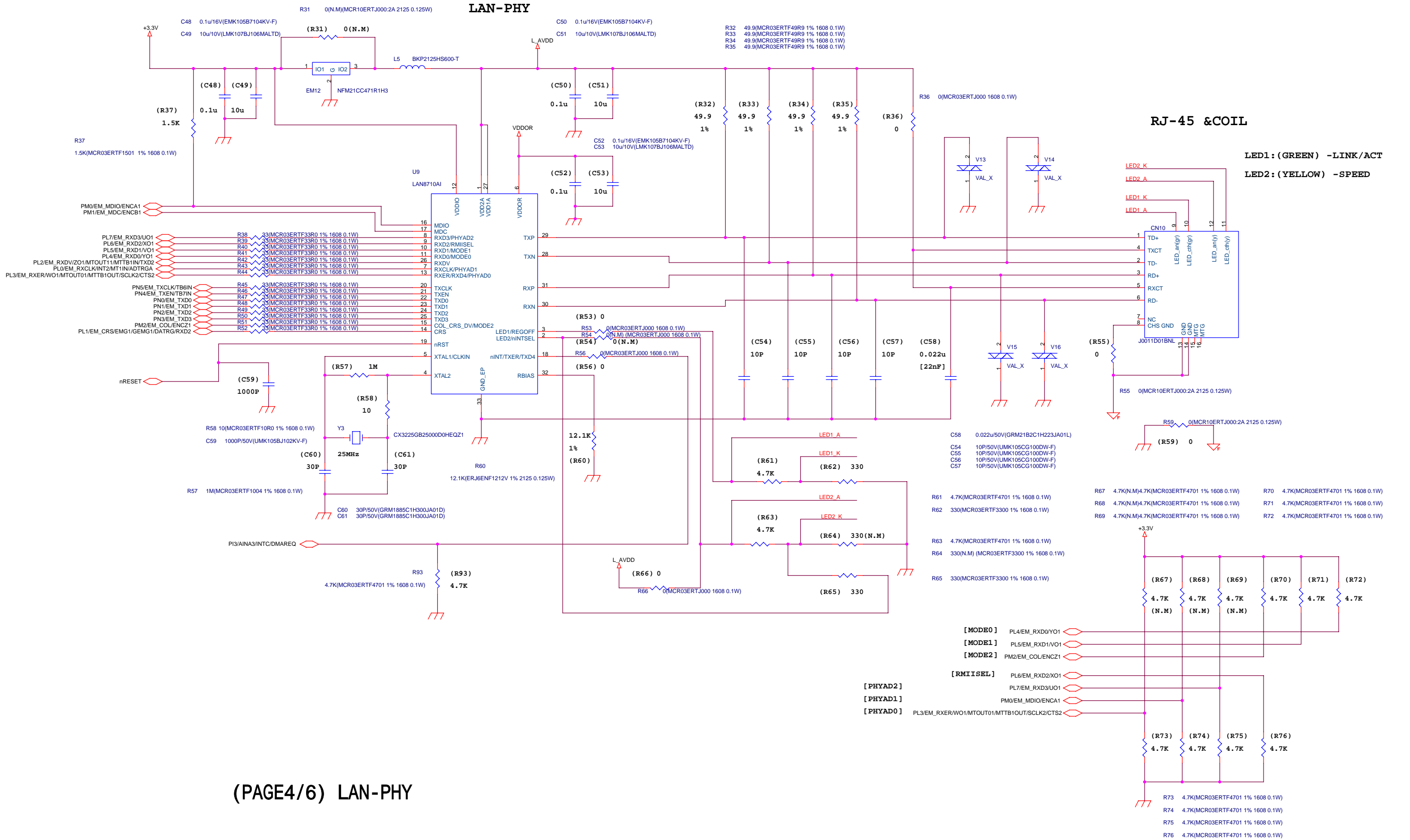
ARM Standard JTAG Connector



LAN-PHY

RJ-45 & COIL

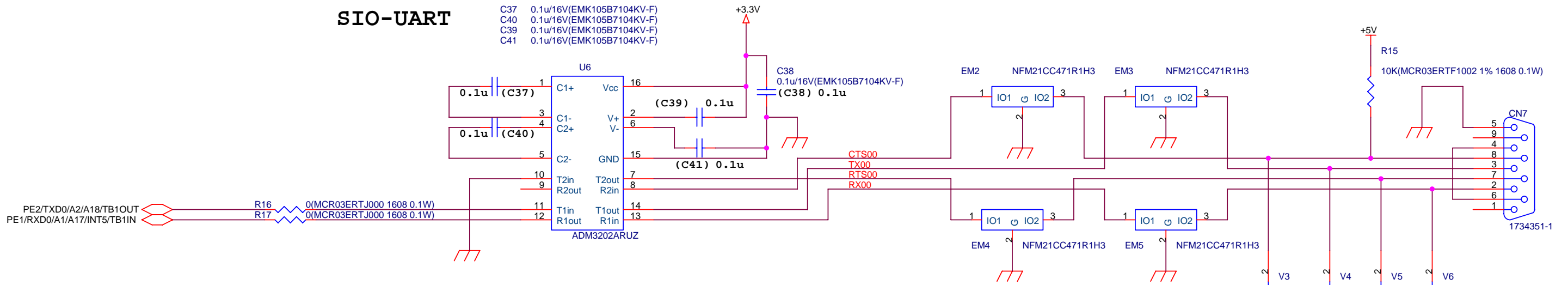
LED1: (GREEN) -LINK/ACT
LED2: (YELLOW) -SPEED



(PAGE4/6) LAN-PHY

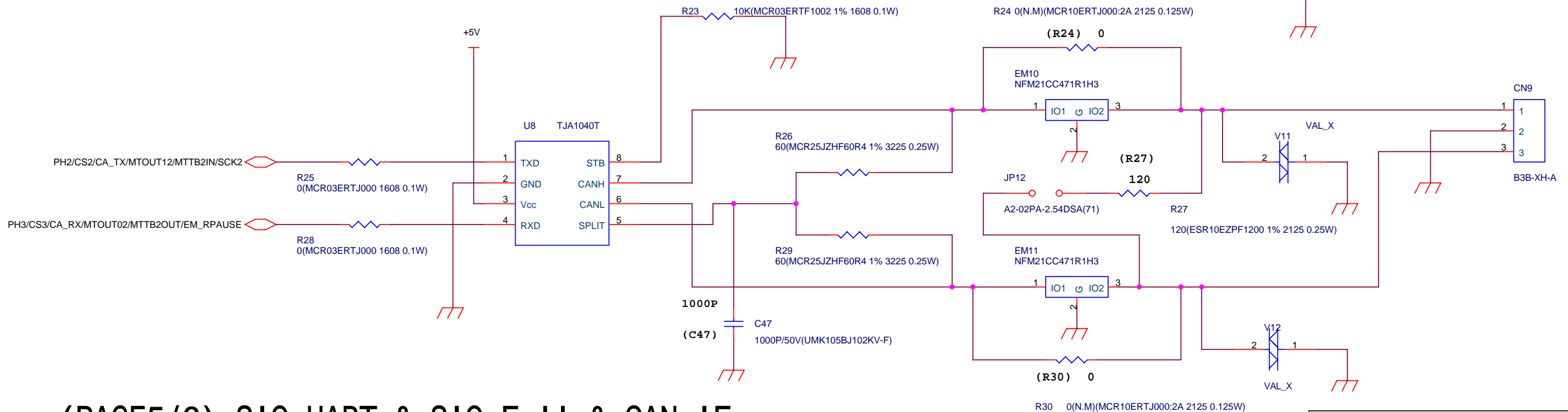
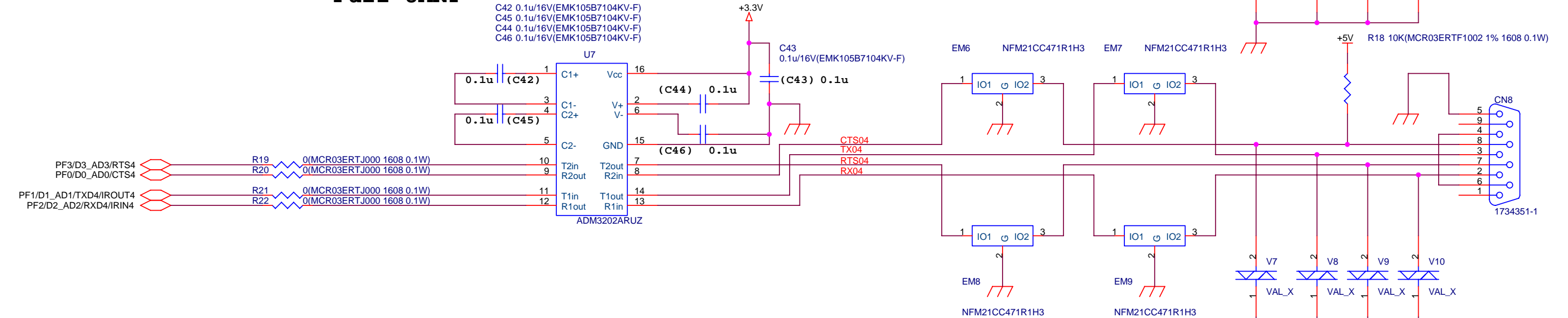
SIO-UART

C37 0.1u/16V(EMK105B7104KV-F)
 C40 0.1u/16V(EMK105B7104KV-F)
 C39 0.1u/16V(EMK105B7104KV-F)
 C41 0.1u/16V(EMK105B7104KV-F)



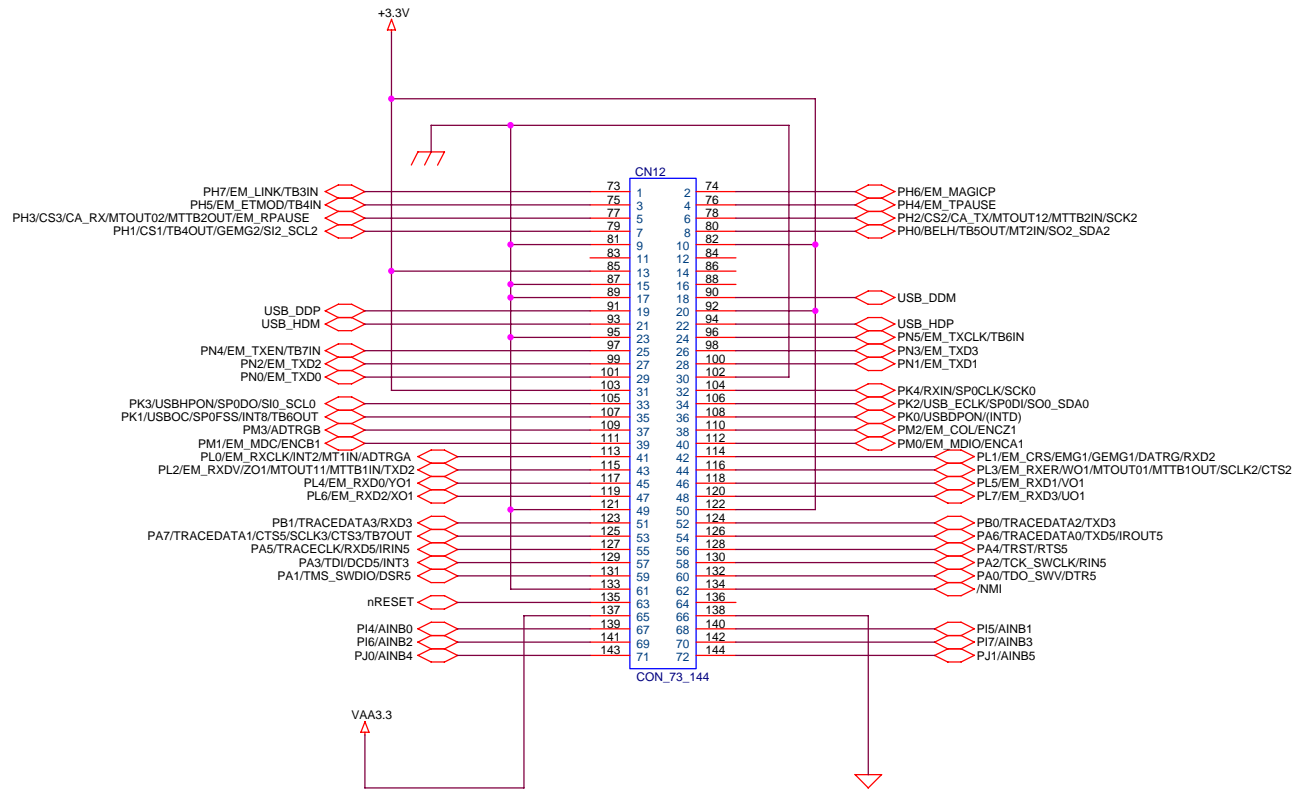
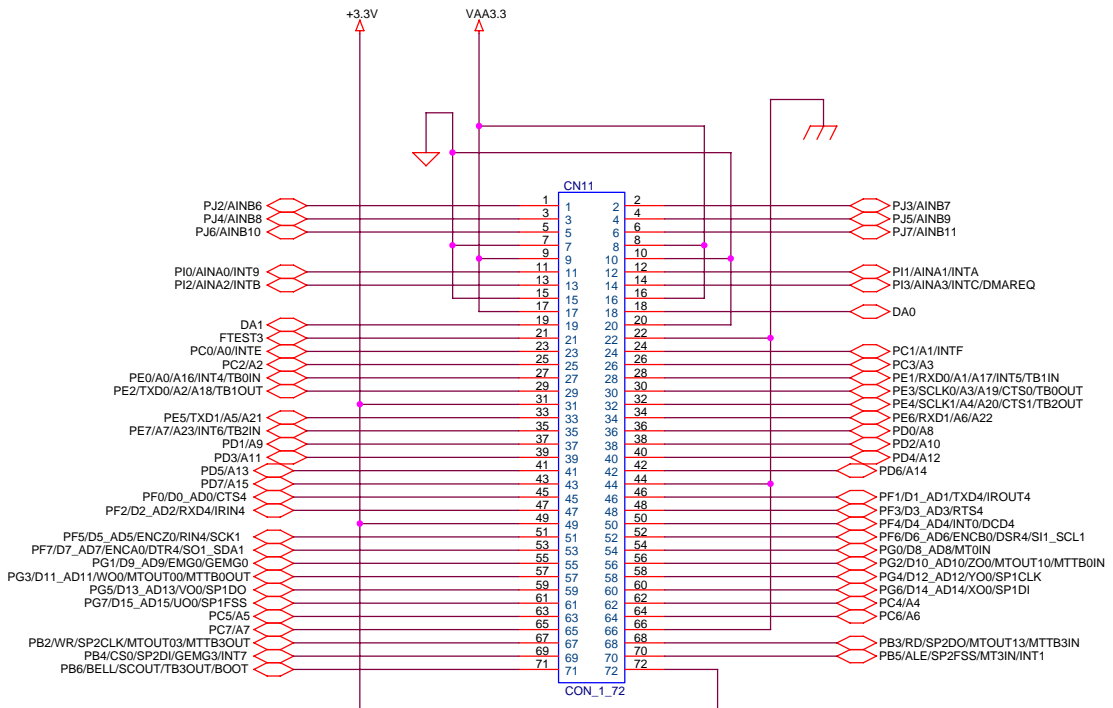
Full-UART

C42 0.1u/16V(EMK105B7104KV-F)
 C45 0.1u/16V(EMK105B7104KV-F)
 C44 0.1u/16V(EMK105B7104KV-F)
 C46 0.1u/16V(EMK105B7104KV-F)



(PAGE5/6) SIO_UART & SIO_Full & CAN_IF

Title		
TMPM369 EVALUATION_BOARD		
Size	Document Number	Rev
A3		1.0
Date:	Monday, August 27, 2012	Sheet 5 of 6



(PAGE6/6) Connector

Title			TMPM369 EVALUATION_BOARD		
Size	Document Number		Rev		1.0
A2					
Date:	Monday, August 27, 2012	Sheet	6	of	6