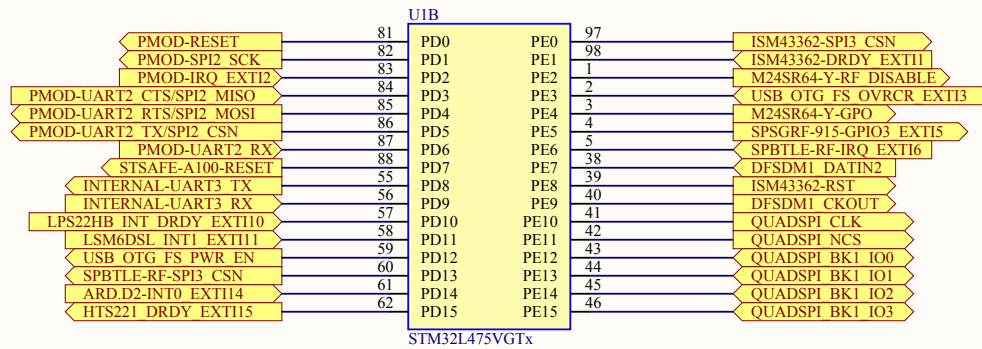
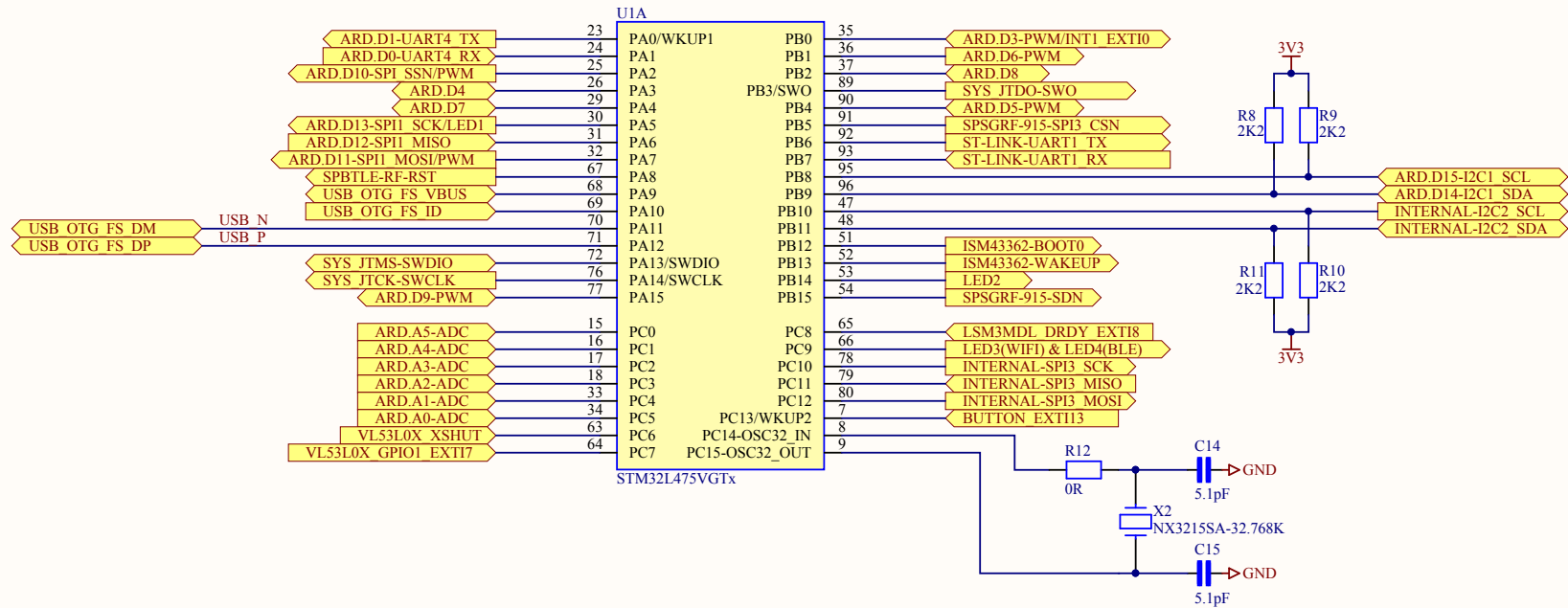


# MB1297

Title: IOT Node Discovery Kit			
Project: Project			
Size: A4	Reference: MB1297	Revision: C	
Date: 12/16/2016			Sheet: 1 of 11

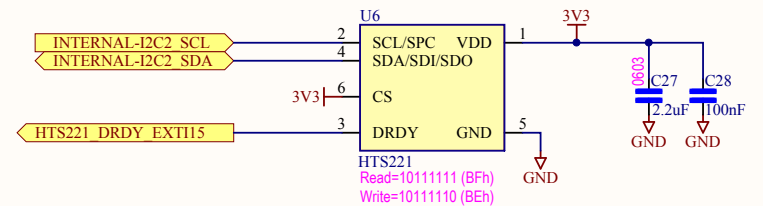
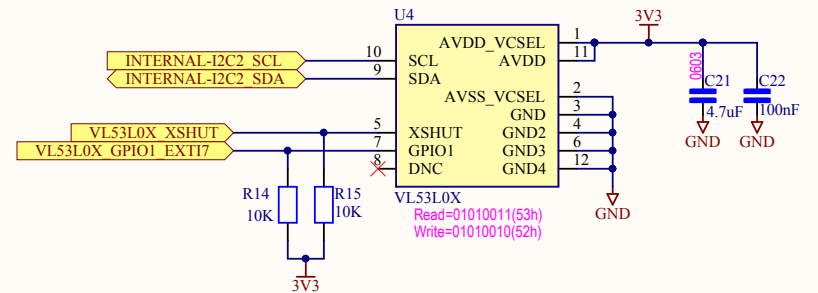
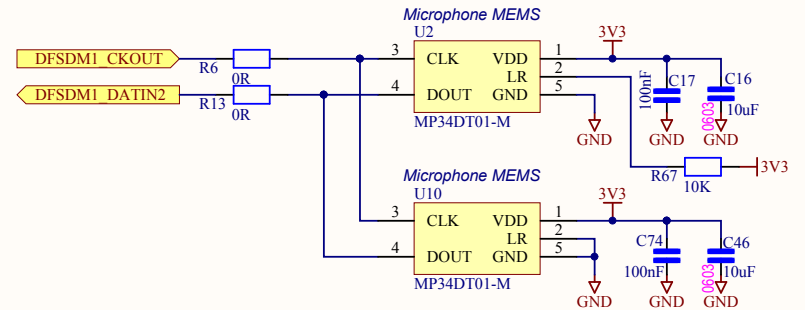
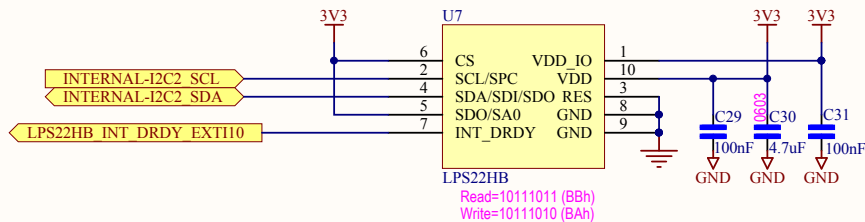
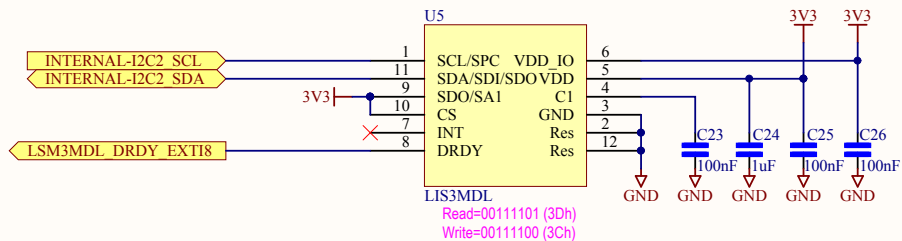
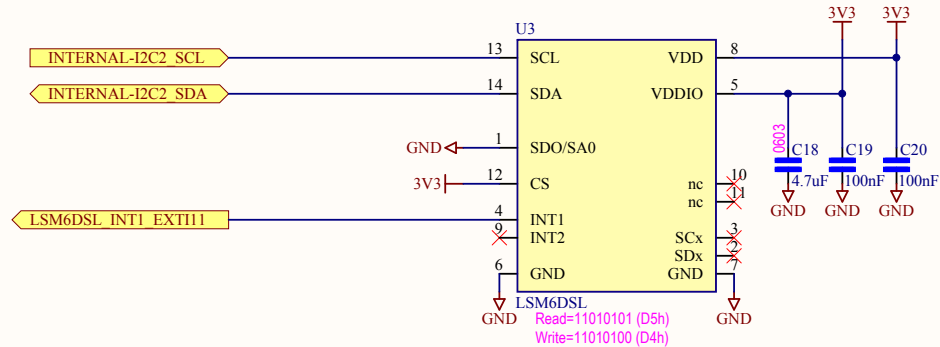








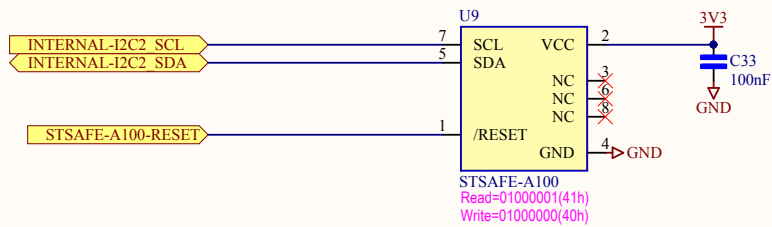
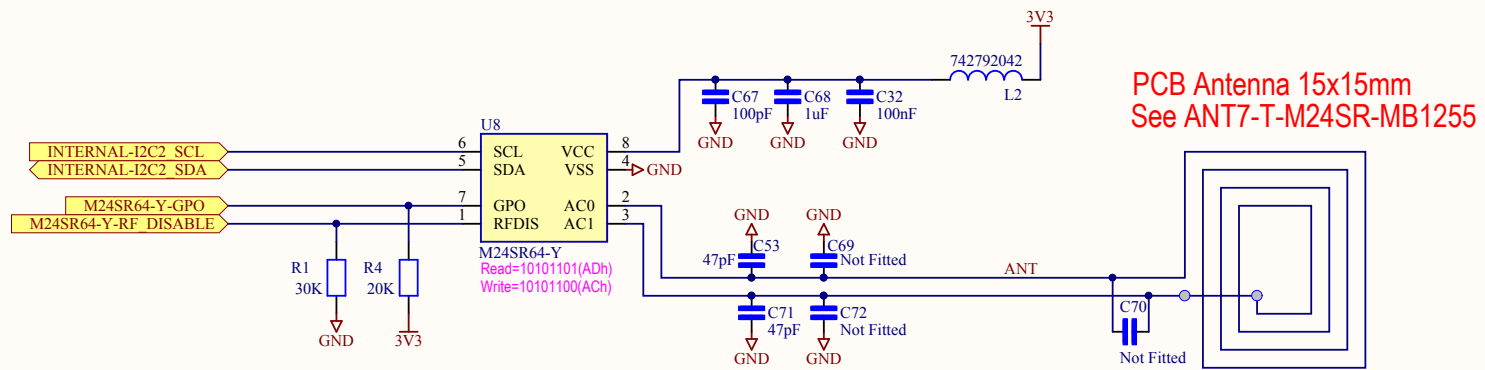




Designed by DiZiC

Title: MEMS Sensors		
Project:		
Size: A4	Reference: MB1297	Revision: C
Date: 12/16/2016	Sheet: 6 of 11	

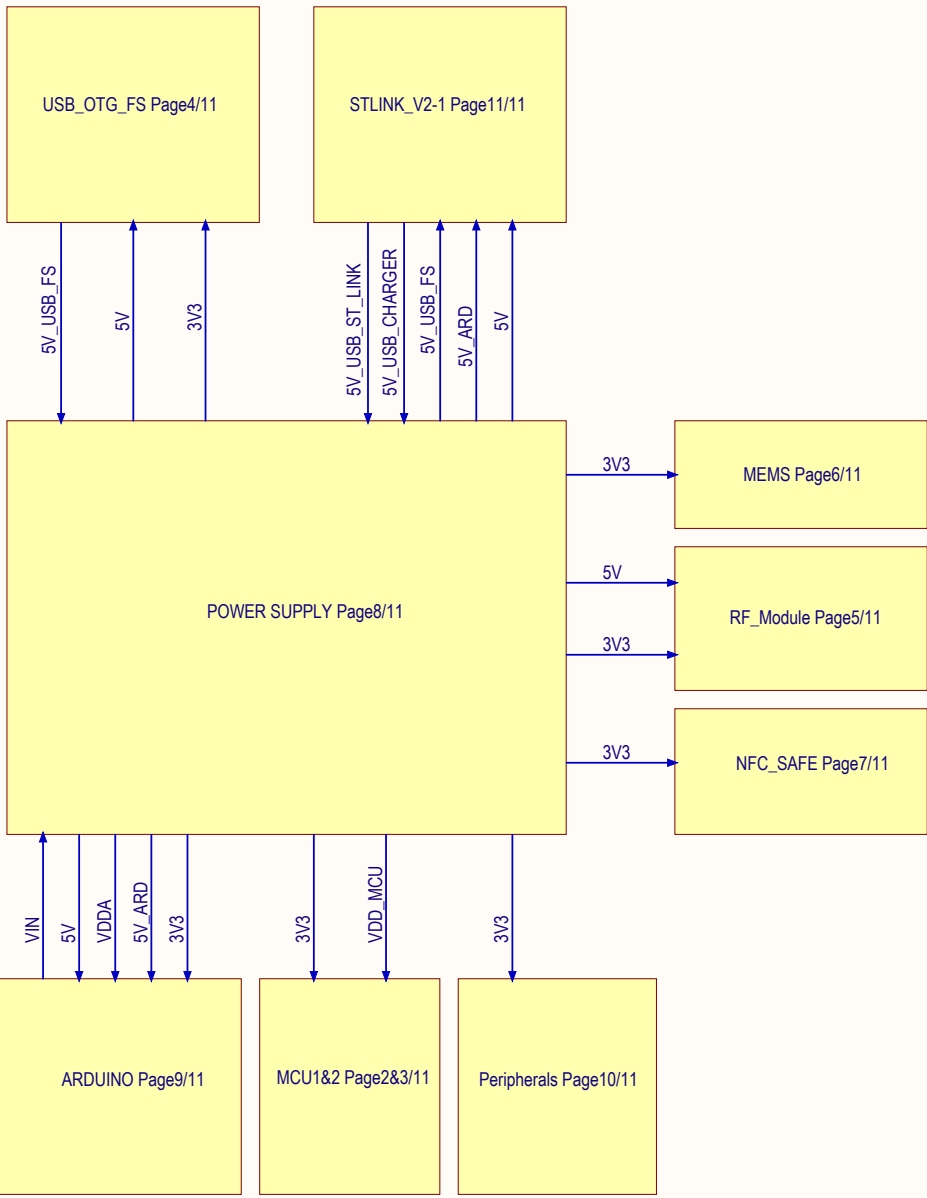




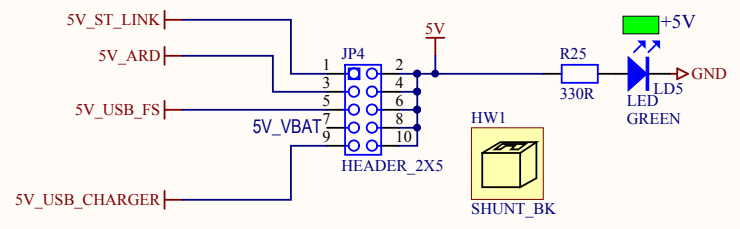
Designed by DiZiC

Title: NFC & ST-SAFE Part		
Project:		
Size: A4	Reference: MB1297	Revision: C
Date: 12/16/2016	Sheet: 7 of 11	

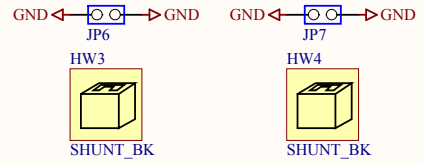




5V PWR SELECTION FROM EXTERNAL SOURCES

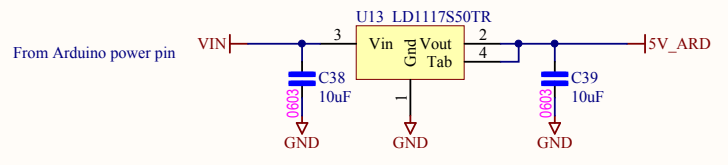


GND PROBE



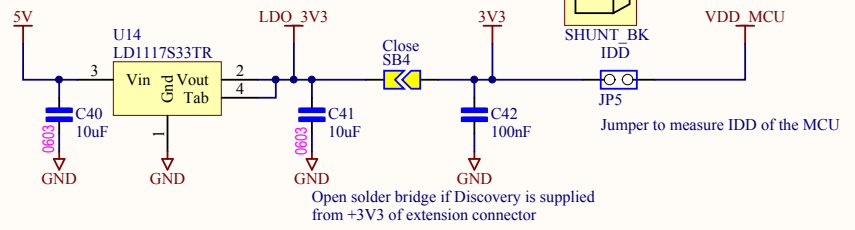
5V INPUT PWR FROM ARDUINO

5V / 800mA



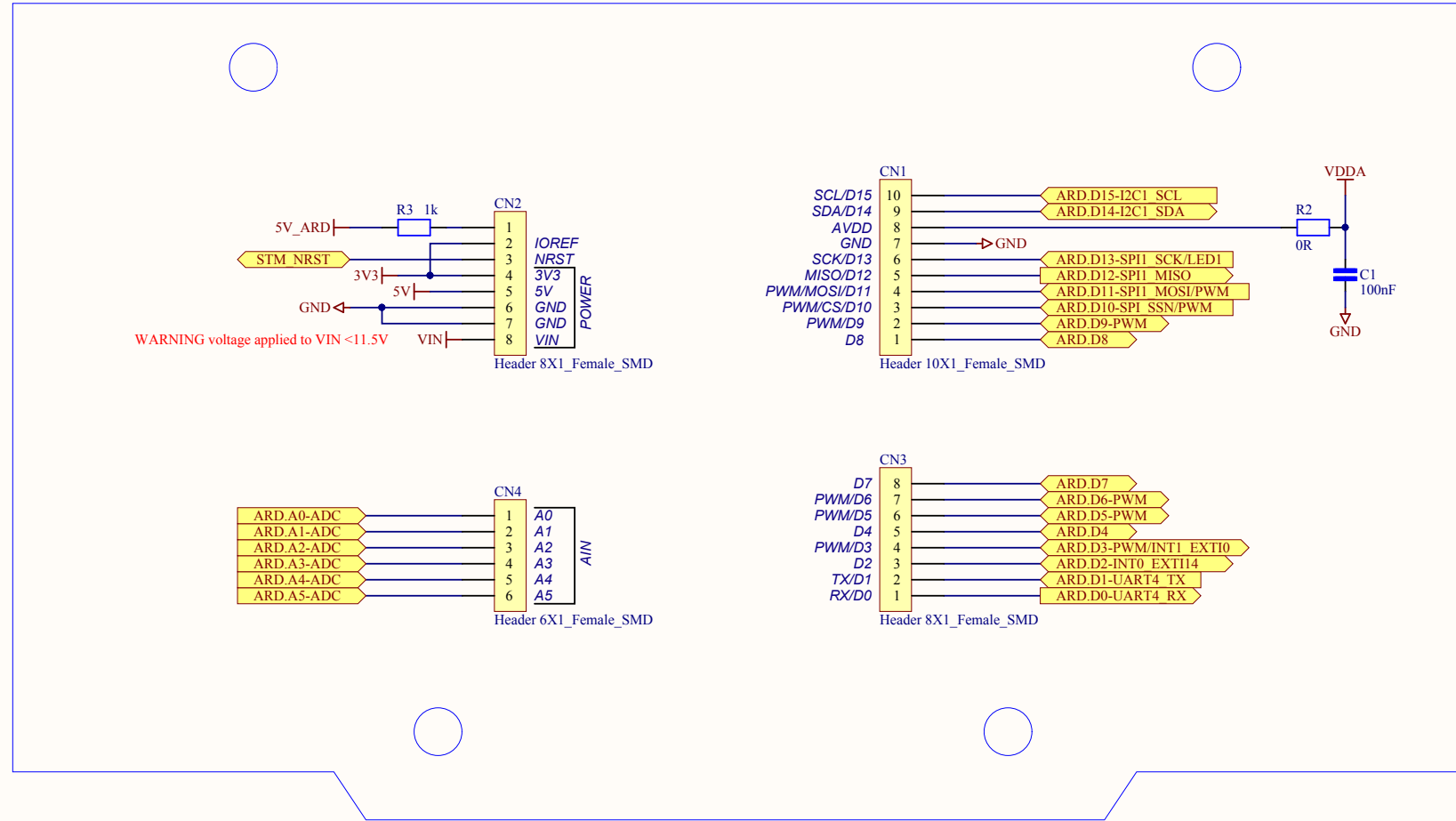
3V3 PWR

3V3 / 800mA






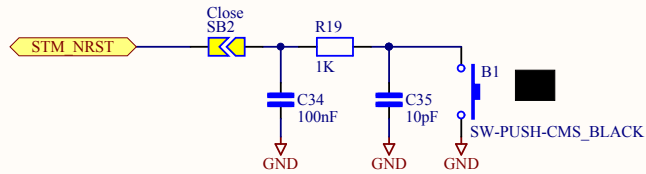
# ARDUINO UNO connector



Designed by DiZiC

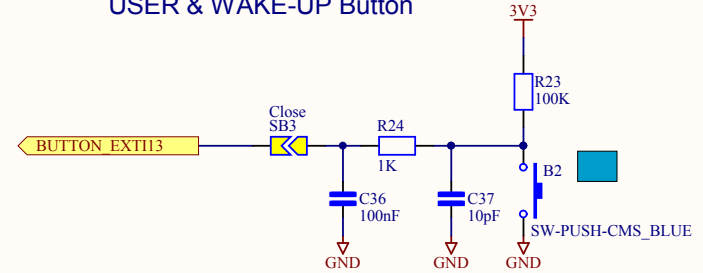
Title: <b>Arduino Uno connector</b>			 life.augmented
Project:			
Size: A4	Reference: MB1297	Revision: C	
Date: 12/16/2016	Sheet: 9 of 11		

### RESET BUTTON



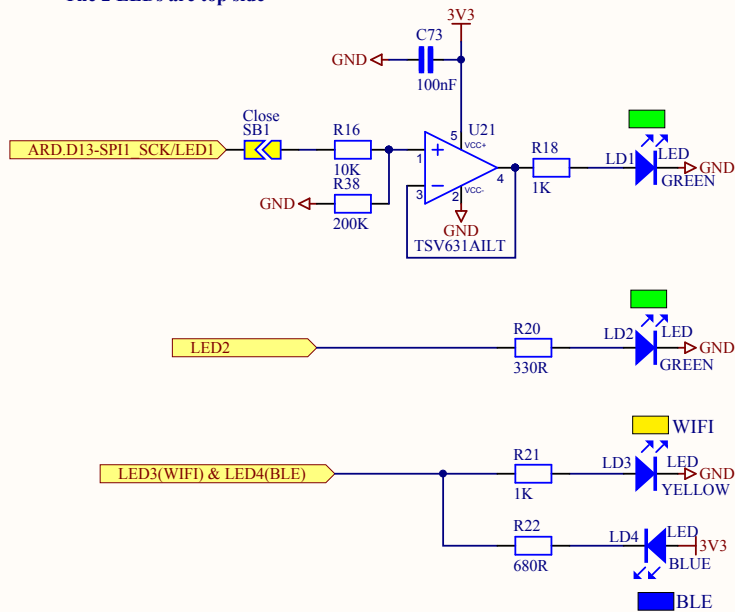
100nF should be place close to the MCU  
10pF and 1K should be place close to the button

### USER & WAKE-UP Button

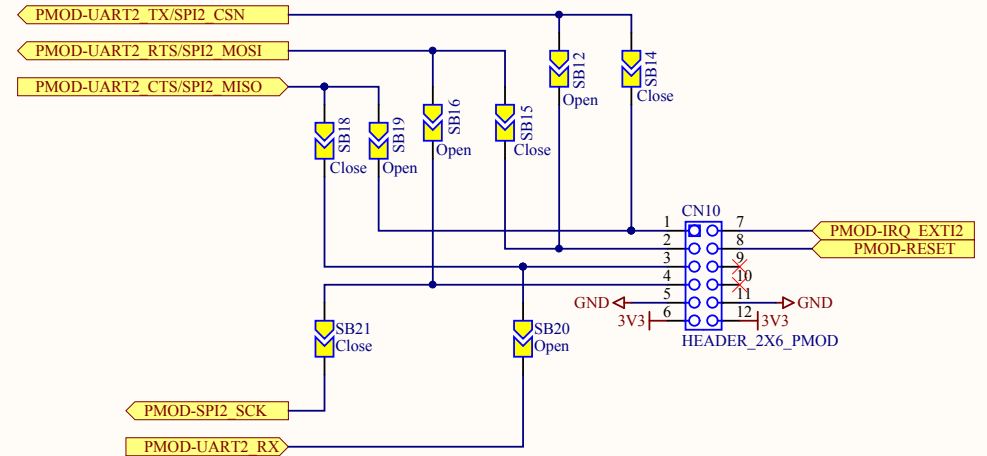


100nF should be place close to the MCU  
10pF and 1K should be place close to the button

### USER LED The 2 LEDs are top side



### PMOD



Designed by DiZiC

Title: Peripherals		
Project:		
Size: A4	Reference: MB1297	Revision: C
Date: 12/16/2016	Sheet: 10 of 11	

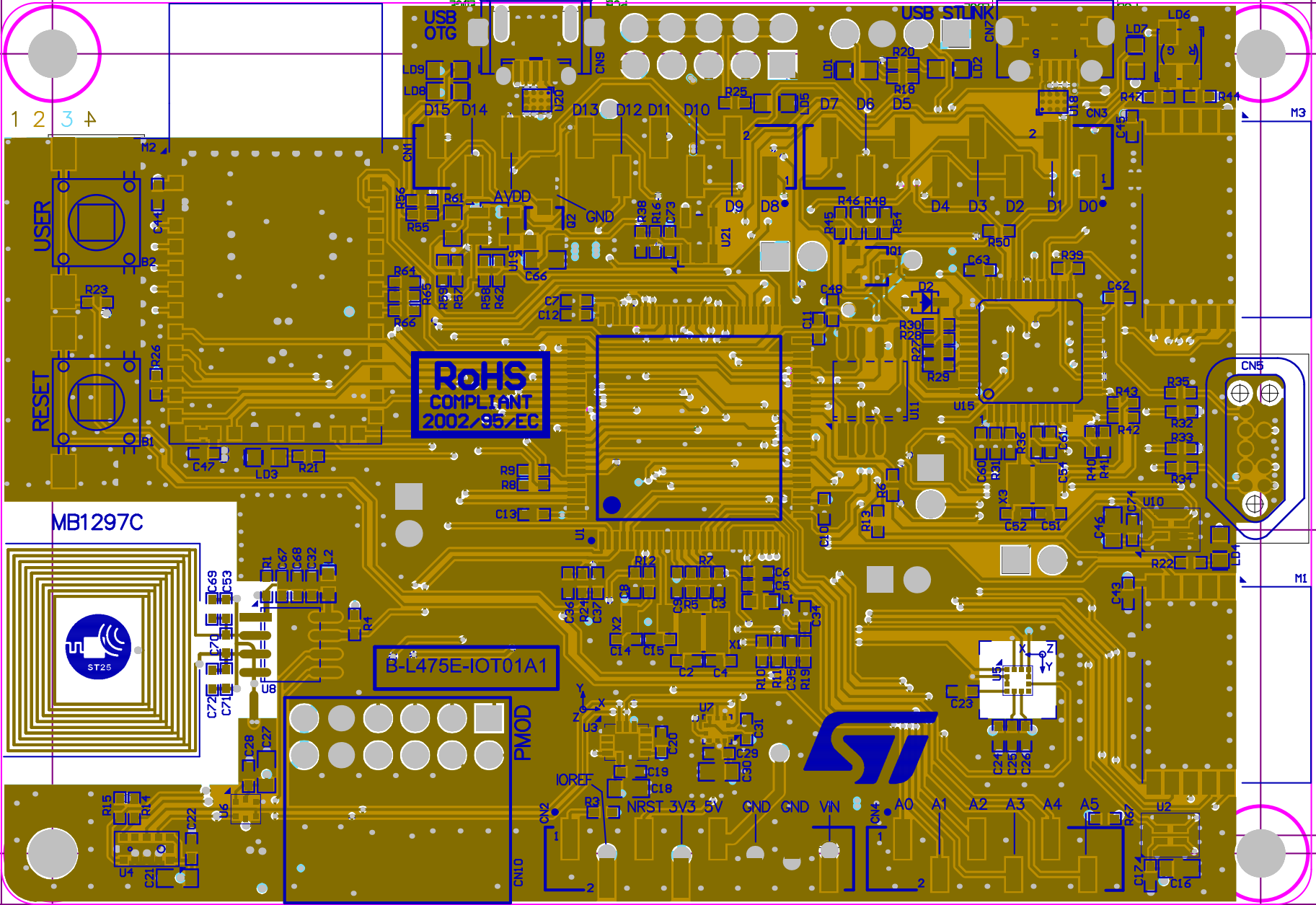




90 (mm)

83 (mm)

1 2 3 4



55 (mm)

62 (mm)

MEMS Microphones  
21 (mm)

M3

M1

